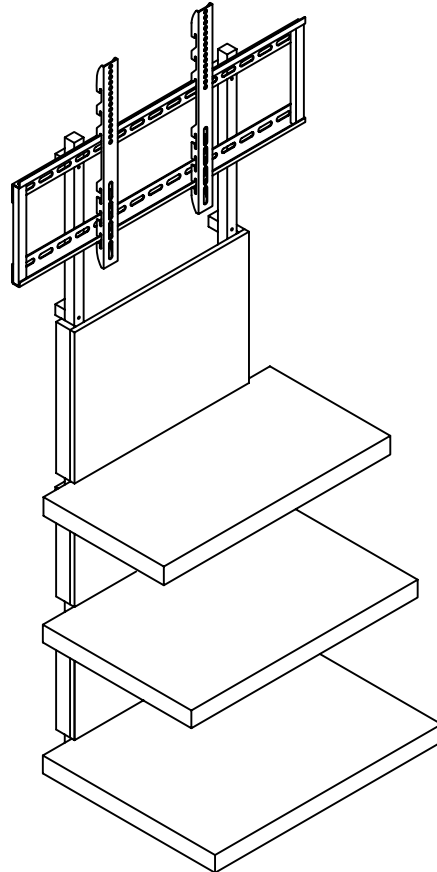




1186096



THIS INSTRUCTION BOOKLET CONTAINS **IMPORTANT** SAFETY INFORMATION. PLEASE READ AND KEEP FOR FUTURE REFERENCE.

STOP

DO NOT RETURN PRODUCT TO THE STORE
Individual stores do not stock parts.

Lot Number: _____
Date Of Purchase: ___/___/___

If a part is missing or damaged, call our toll-free customer service line.
We will gladly ship your replacement parts FREE of charge.

Need Parts or Assistance?

1-800-489-3351

or access our website
www.altrafurniture.com

For prompt, reliable service please have your assembly manual ready.

Recommended # of people needed for assembly:2
(however it is always better to have an extra hand.)
Estimated assembly time is 30 minutes.

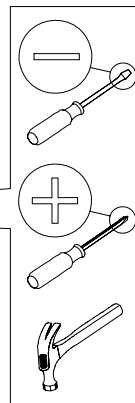
Spanish translations are located in the center of this manual,
Se localizan las traducciones españolas en el centro de este manual.

Thank you for purchasing from ALTRAFURNITURE.

Visit www.altrafurniture.com to view the limited warranty valid in the U.S. and Canada.

BEFORE STARTING

- Read each step carefully before starting. It is very important that each step of instruction is performed in the correct order. If these steps are not followed in sequence, assembly difficulties will occur.
- Make sure all parts are included. Most board parts are labeled or stamped on the raw edge.
- Work in spacious area, preferably on a carpet, near the place the unit will be used.
- Have the following tools close at hand.
- Do not use power tools to assemble your furniture. Power tools may strip or damage the parts.



HELPFUL HINTS

- Visit our website for assembly video clips.
- Call our toll free number if you need assistance.
- Compression dowels are tapped in with a hammer.
- Back panels provide stability and support. Use all the nails provided. Units without the back panel installed may collapse.
- When tapping nails into a board, be sure there are equal margins on all side to square the unit.
- Move your new furniture carefully, with two people lift and carry the unit to it's new location.
- Never push, drag or scoot your furniture (especially on carpet).
- Your ALTRAFURNITURE can be disassembled and reassembled to move
- Additional parts are available for a nominal fee.

For help with assembly, identifying parts, product information or to order parts, please contact us:



Call us at: 1-800-489-3351

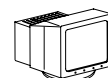
Monday-Friday
7:00 am - 8:00 pm
Saturday
9:00 am - 5:00 pm
(Central Time)



FAX:

1-636-745-1005

available 24 hours a day,
7 days a week



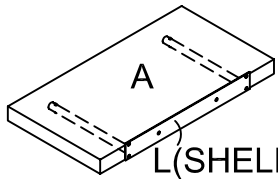
Visit our website:

www.altrafurniture.com



Write to:

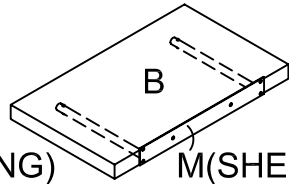
ALTRAFURNITURE
410 East First Street South
Wright city, MO 63390 USA
Attention: Service Dept.



L(SHELF TUBING)

Preassembled Parts	
SHELF	T1186096011
SHELF TUBING	T1186096120

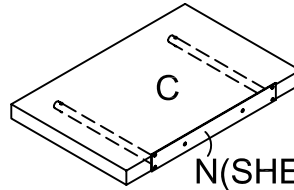
A
UPPER SHELF
T1186096010



M(SHELF TUBING)

Preassembled Parts	
SHELF	T1186096021
SHELF TUBING	T1186096130

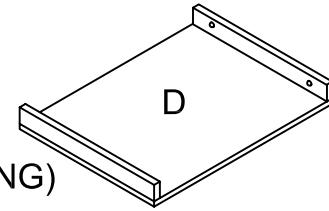
B
MIDDLE SHELF
T1186096020



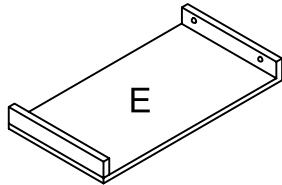
N(SHELF TUBING)

Preassembled Parts	
SHELF	T1186096031
SHELF TUBING	T1186096140

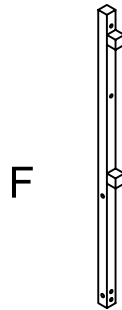
C
LOWER SHELF
T1186096030



D
UPPER BACK PANEL
T1186096040

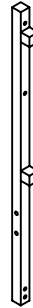


E
(2) BACK PANEL
T1186096050



Preassembled Parts	
METAL TUBING	T1186096061
PLASTIC INSERT	TTL9401

F
UPPER LEFT TUBING
T1186096060



Preassembled Parts	
METAL TUBING	T1186096071
PLASTIC INSERT	TTL9401

G
UPPER RIGHT TUBING
T1186096070



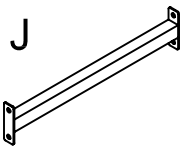
Preassembled Parts	
METAL TUBING	T1186096081
PLASTIC INSERT	TTL9401

H
LOWER RIGHT TUBING
T1186096080

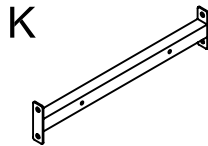


Preassembled Parts	
METAL TUBING	T1186096091
PLASTIC INSERT	TTL9401

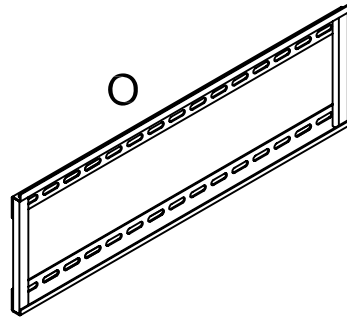
I
LOWER LEFT TUBING
T1186096090



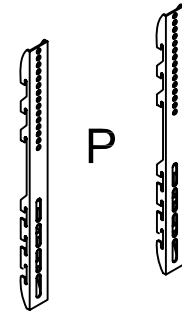
J
RAIL
T1186096100



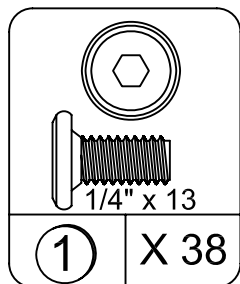
K
(3) RAIL
T1186096110



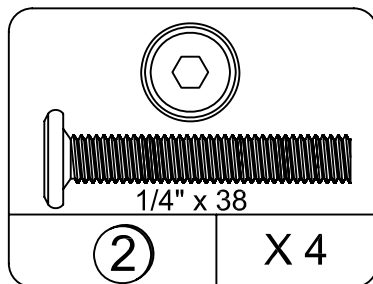
O
TV MOUNT
T1186096150



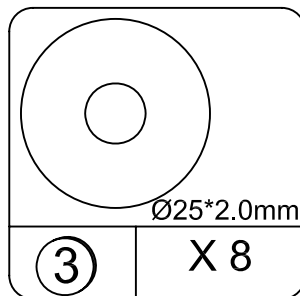
P
UPRIGHT RAIL
T1186096160



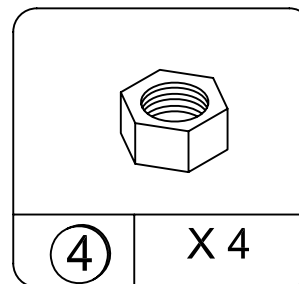
BOLT
TTL2002



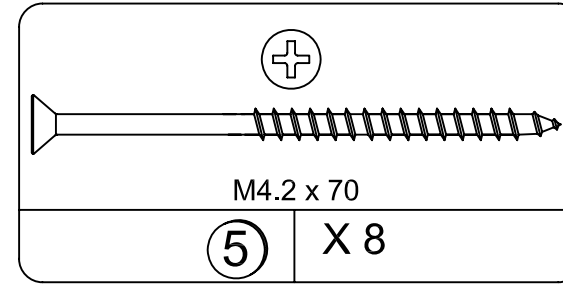
BOLT
TTL2034



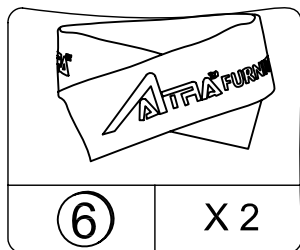
WASHER
TTL9502



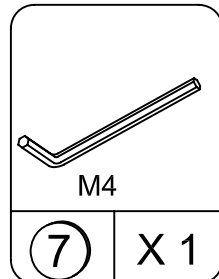
NUT
TTL2013



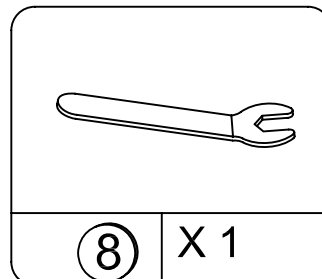
SCREW
TTL1019



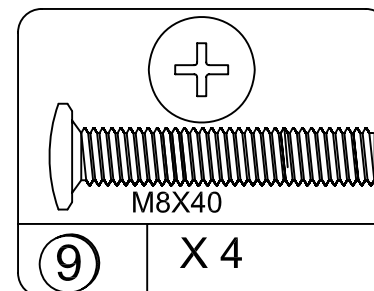
WIRE CLIP
TZJ0002



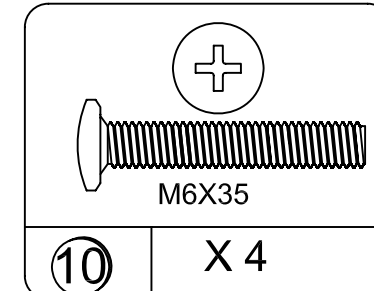
HEX KEY
TTL5003



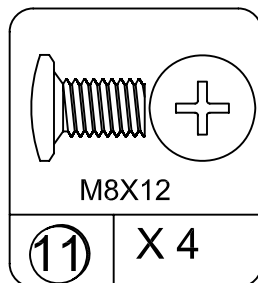
WRENCH
TTL5103



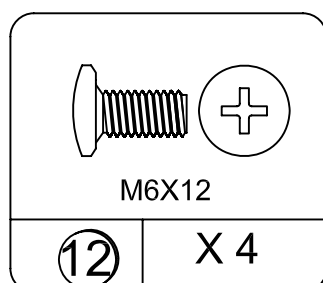
BOLT
TTL2029



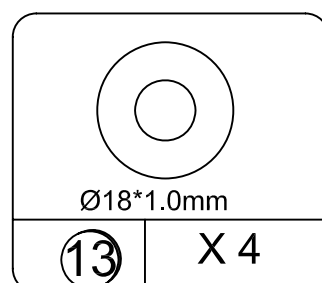
BOLT
TTL2027



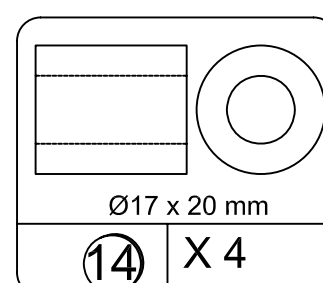
BOLT
TTL2026



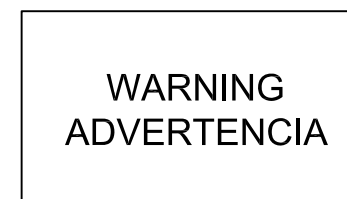
BOLT
TTL2028



WASHER
TTL9501



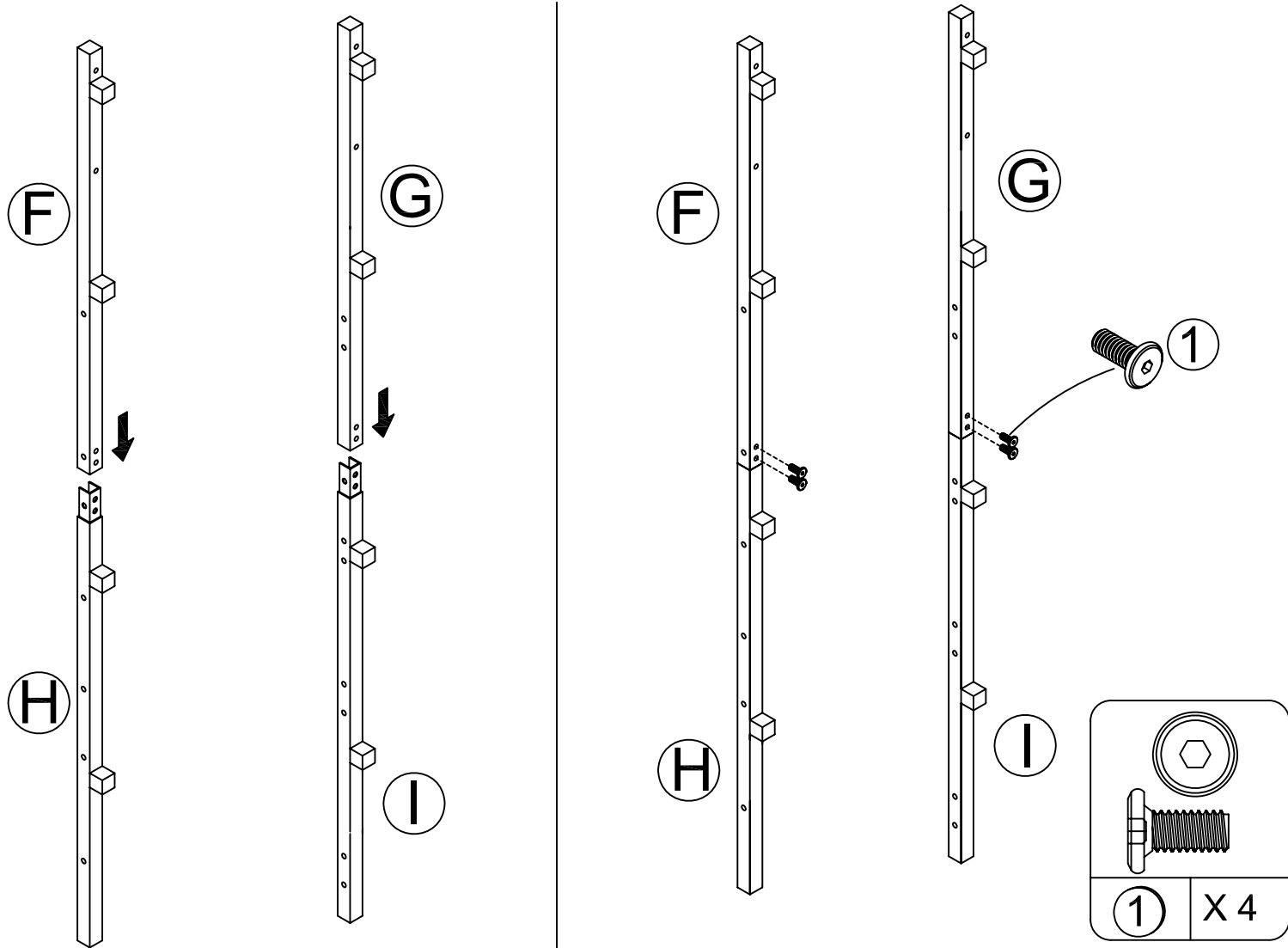
NYLON SPACER
TTL9400



WARNING LABEL
TTL1186

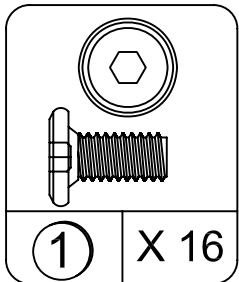
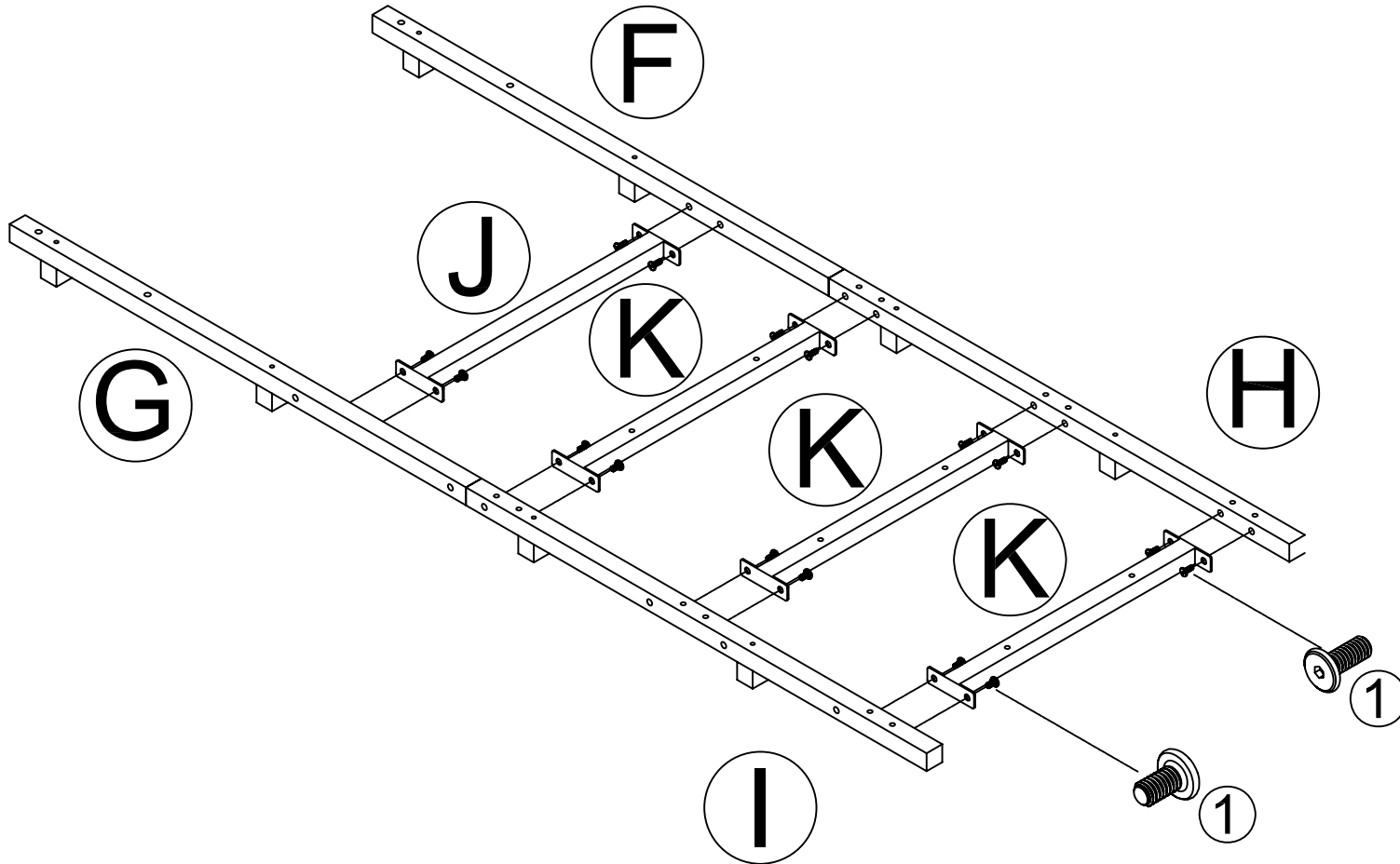
1

Use bolts (1) to connect upper tubings (F&G) with lower tubings (H&I) as shown.



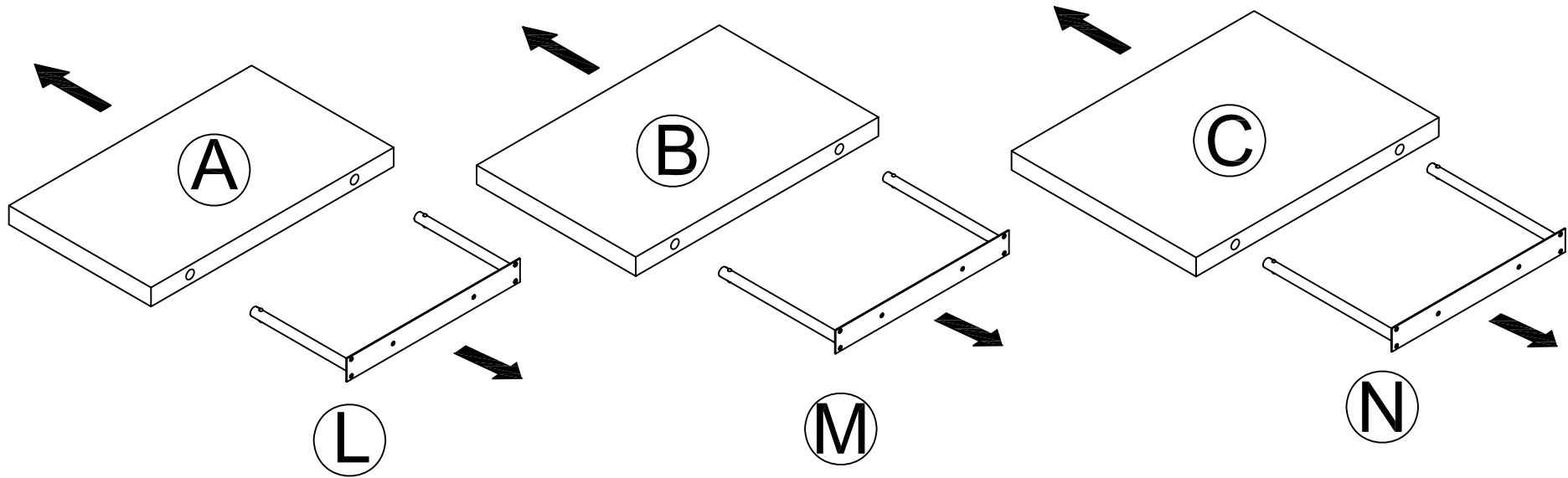
2

Attach rails (J&K) to assembled frame as shown.



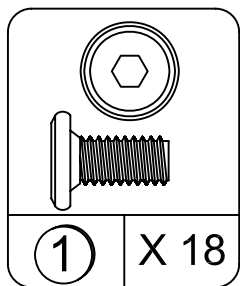
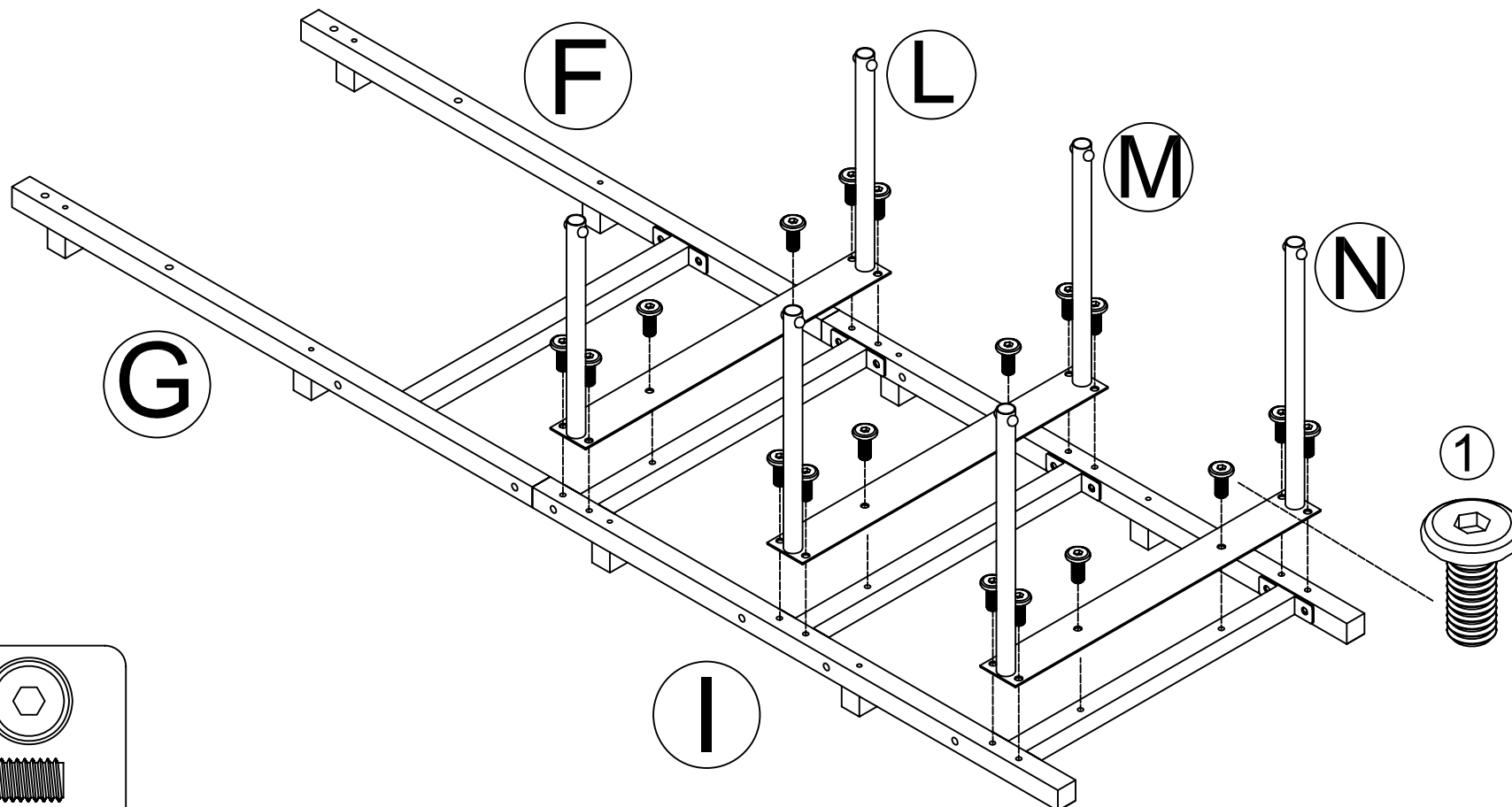
3

Take off shelf tubings (L&M&N) from shelves (A&B&C) as shown.



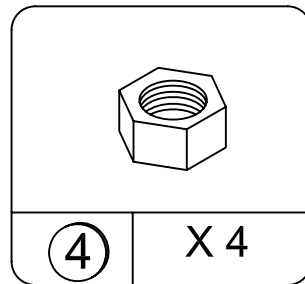
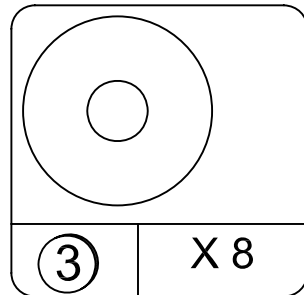
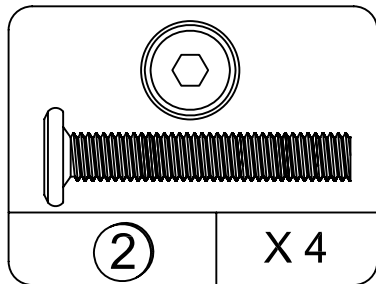
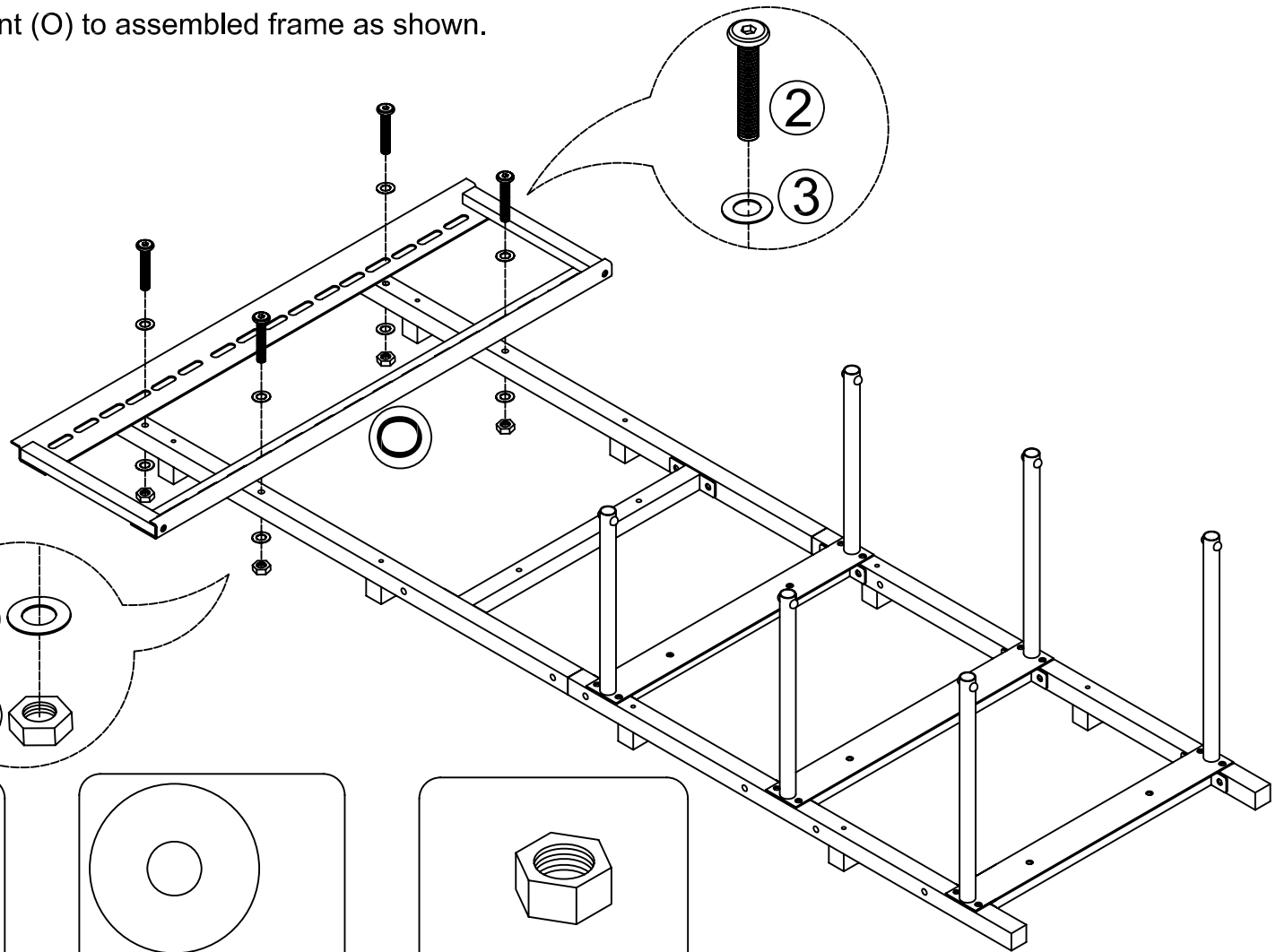
4

Attach shelf tubings (L&M&N) to assembled frame as shown.



5

Attach TV mount (O) to assembled frame as shown.

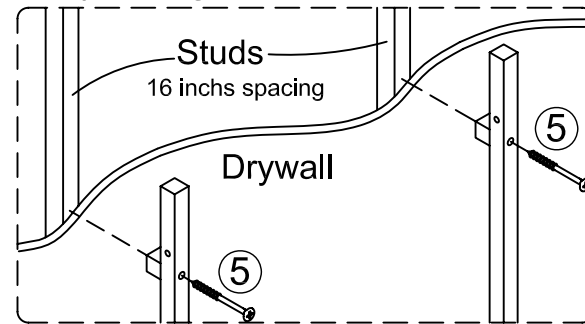


6

Attach assembled frame to wall as shown.

IMPORTANT

This unit is designed to be securely attached to a wall or a fixed structure. The attachment must be carried out by a qualified person; failure to do so might result in personal injury and/or property damages.

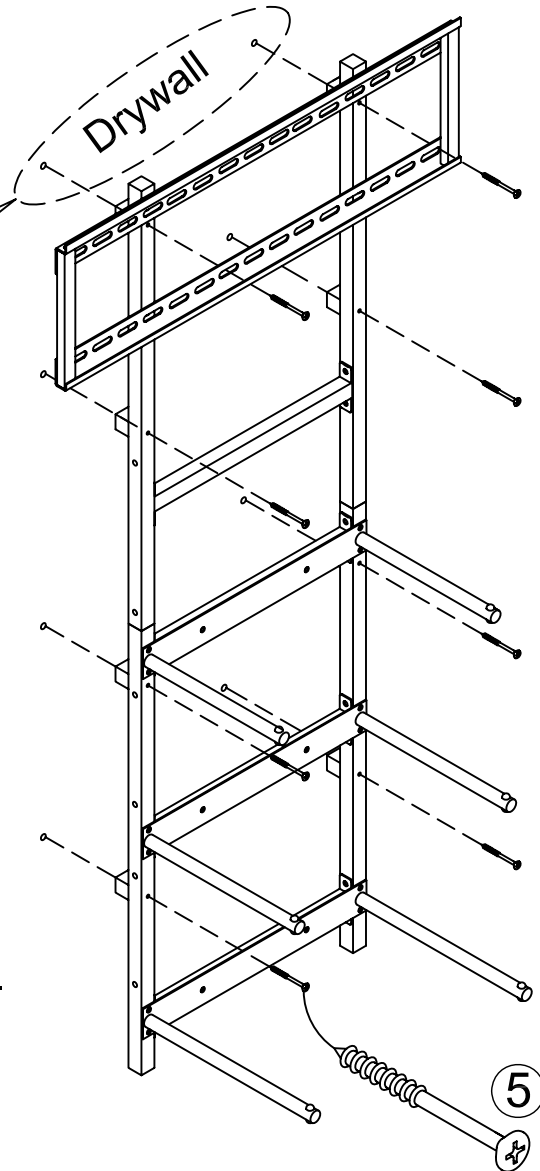
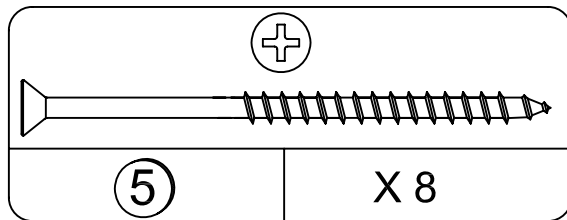


For Drywalls with Wood Studs

- Use a stud finder to locate and mark the location of studs in your wall. We recommend using a stud finder that can locate the center of each stud is. Verify the stud location by driving a thin nail in the wall.
- If your stud finder cannot locate the center of stud is, then you will have to figure that out manually using a thin nail at ¼ inch intervals.
- Use (8) screws, supplied with this product, to attach the unit to the studs.
- Make sure all screws are fully seated and the unit is secured.

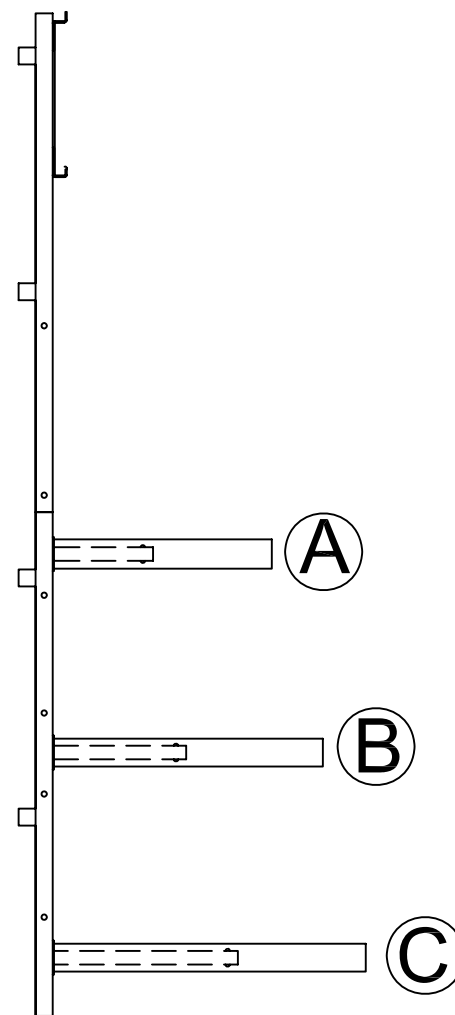
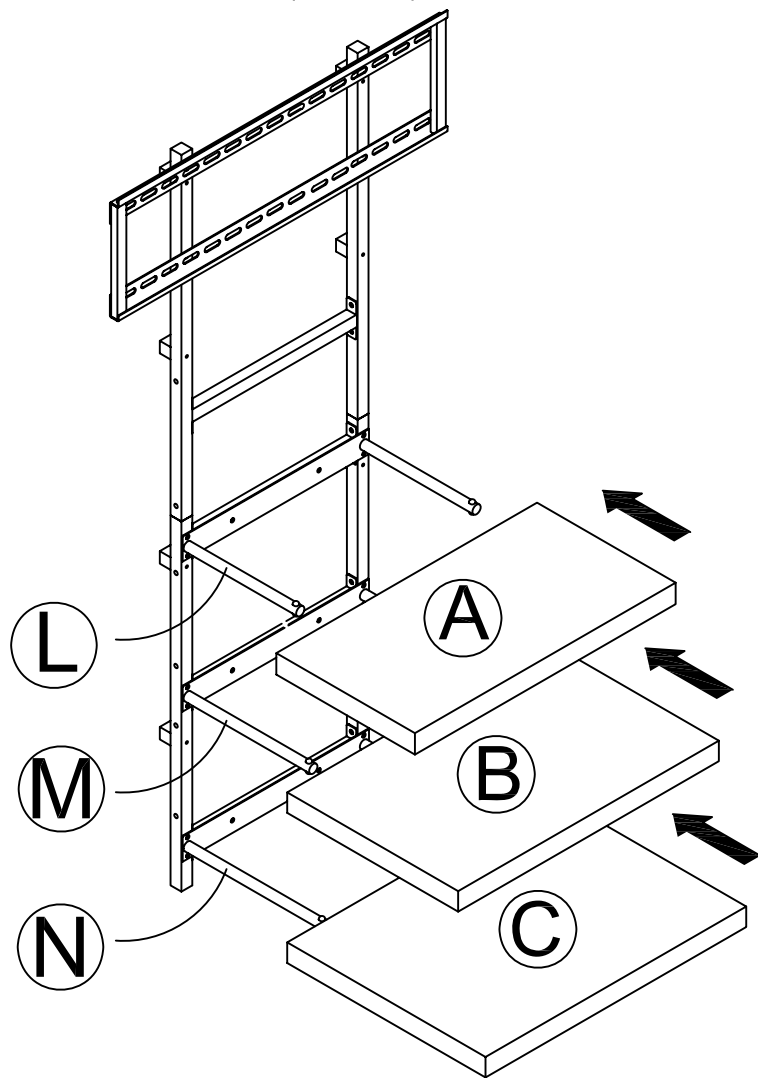
For Masonry, Concrete, or other Walls and Structures

- Consult your local hardware store for appropriate anchors to securely attach this unit.



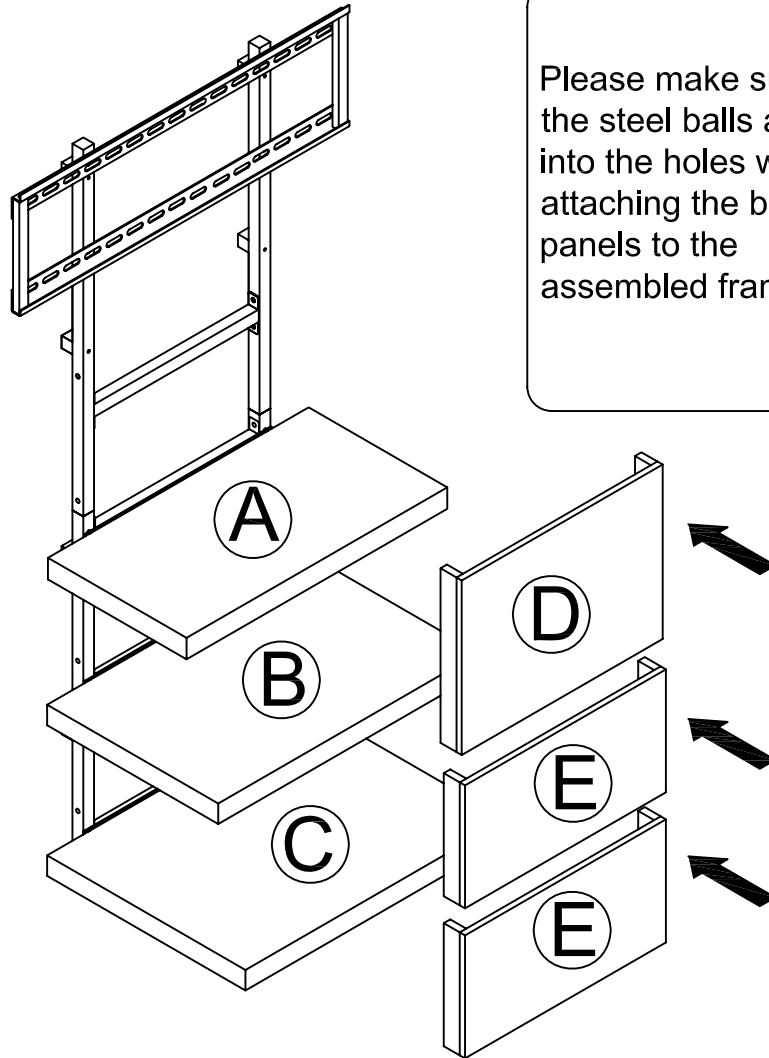
7

Attach shelves (A&B&C) to assembled frame as shown.

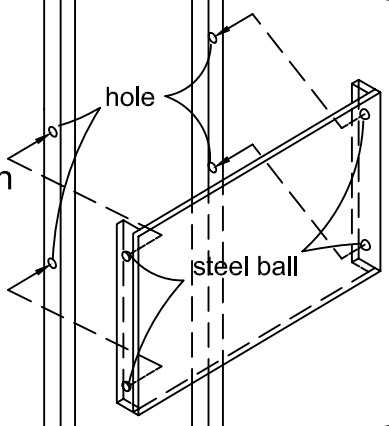


8

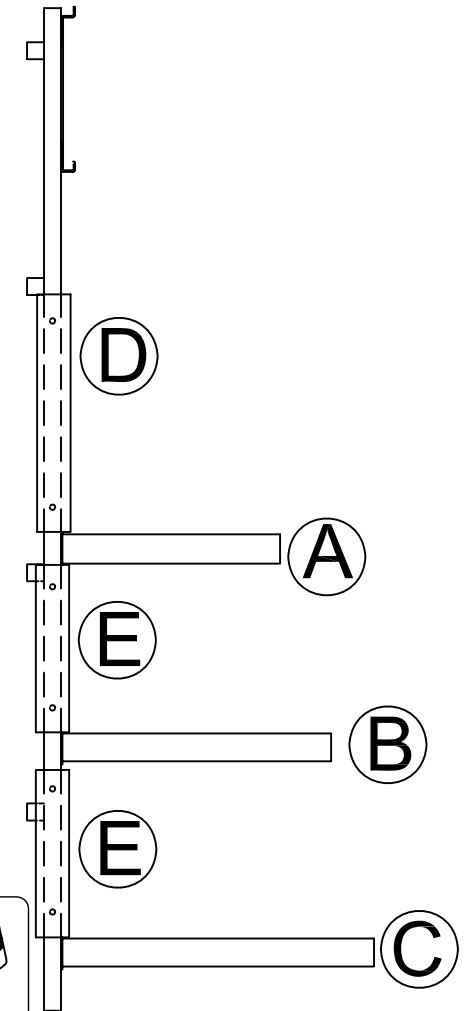
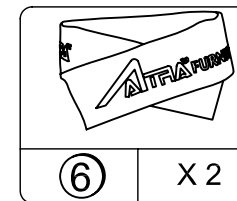
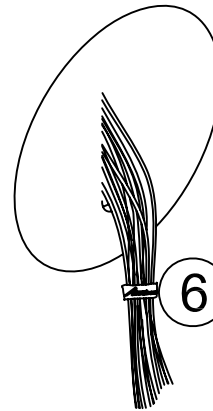
Attach back panels (D&E) to assembled frame as shown.



Please make sure the steel balls are into the holes when attaching the back panels to the assembled frame.



Use enclosed wire clip to keep the wires together.
Use el gancho cercado de alambre para mantener los alambres juntos.



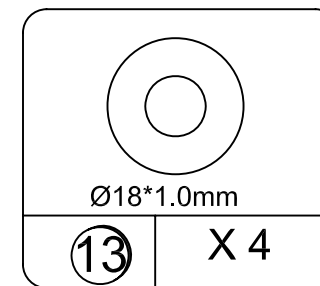
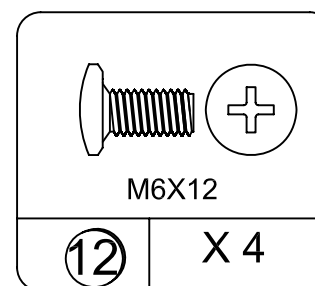
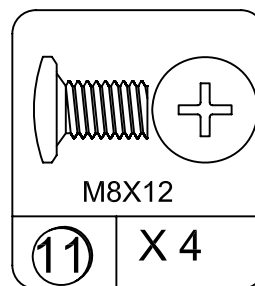
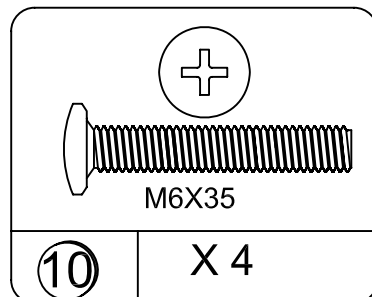
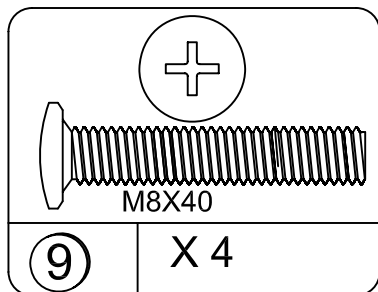
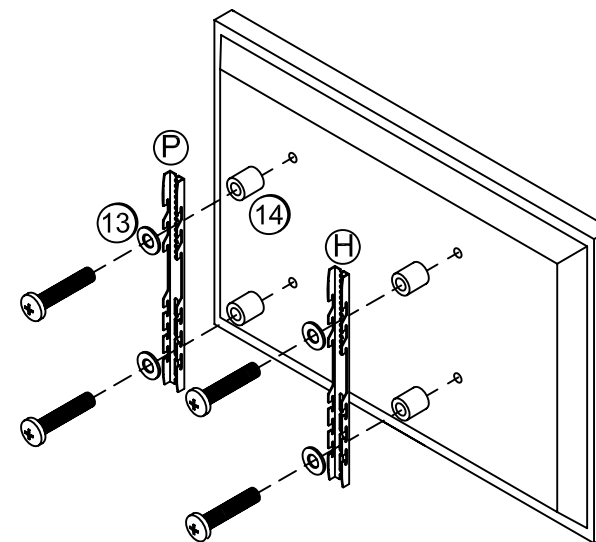
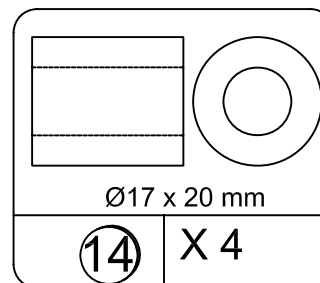
9



It is very important to use correct bolts in attaching the back side of TV to upright rails (vertical bar). We strongly recommend taking measures to prevent the TV from toppling over. Unsecured TV may topple and result in property damage, serious bodily injury or even death.

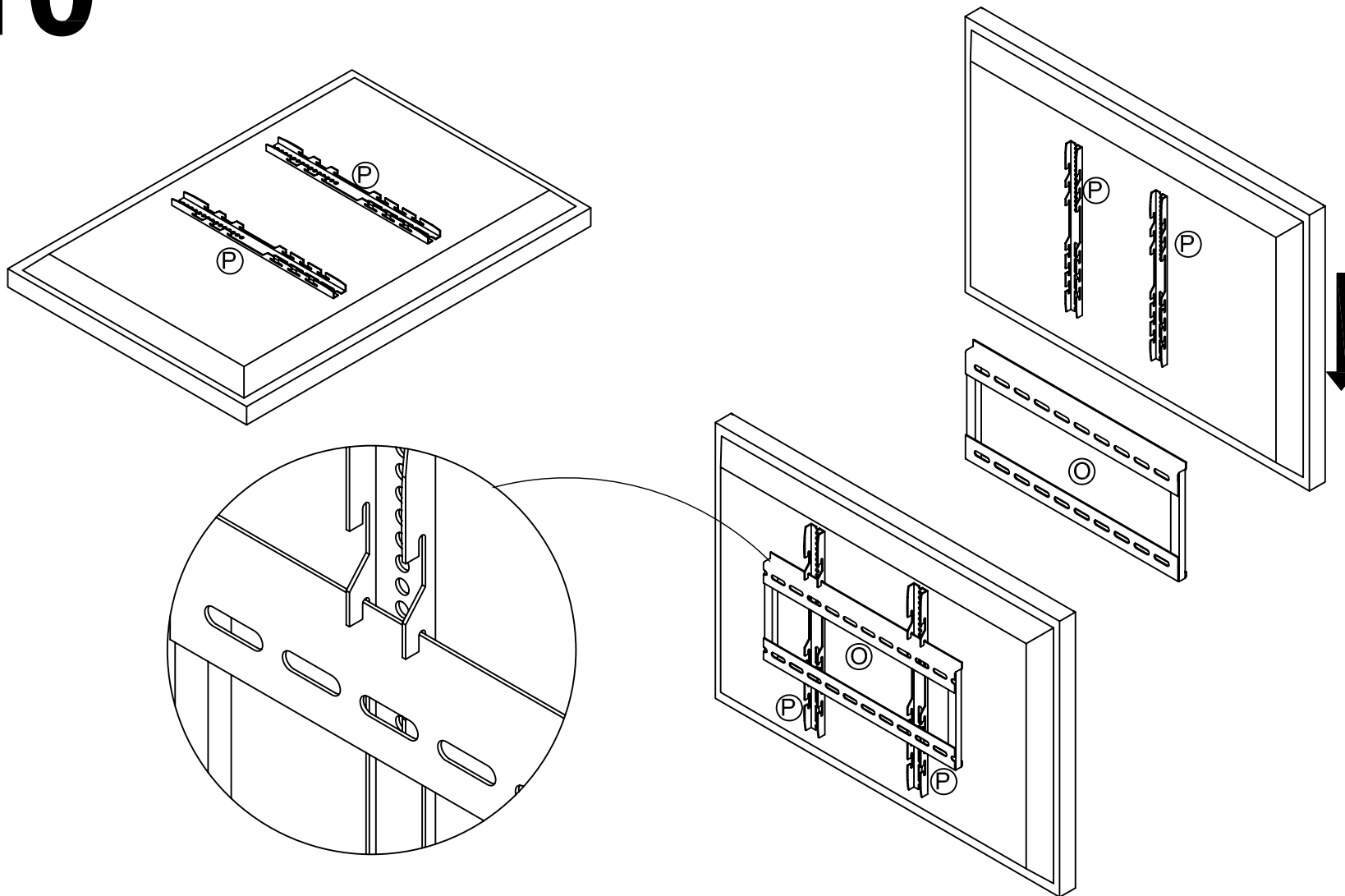
Be sure to use the bolts supplied with the TV when attaching upright rails to the TV set. If bolts are not provided, please follow the following steps:

1. Please read Operating Instruction or Owner's Manual of your TV to determine the type and size of bolts. If you cannot find it, Please call your TV manufacturer for this information.
2. Altra Furniture has enclosed assortment of bolts, washers, and spacers in plastic bags that should work with most of TV sets. If you are unable to find correct bolts, please consult your local hardware store.
3. Be sure to use correct bolts (specified by the manufacturer) to attach your TV set to upright rails (vertical bars) as shown in the diagram.
Note: Nylon spacers should be used if your TV set has recessed holes or an obstruction on the back that prevents it from sitting flush against the rails.



10

-Attach TV to TV mount as shown.



Call our toll free number for any assistance you should need or visit our website:

1-800-489-3351 www.altrafurniture.com

Clean the product with your favorite furniture polish and a soft cloth. **DO NOT USE** harsh chemicals or abrasive cleaners.

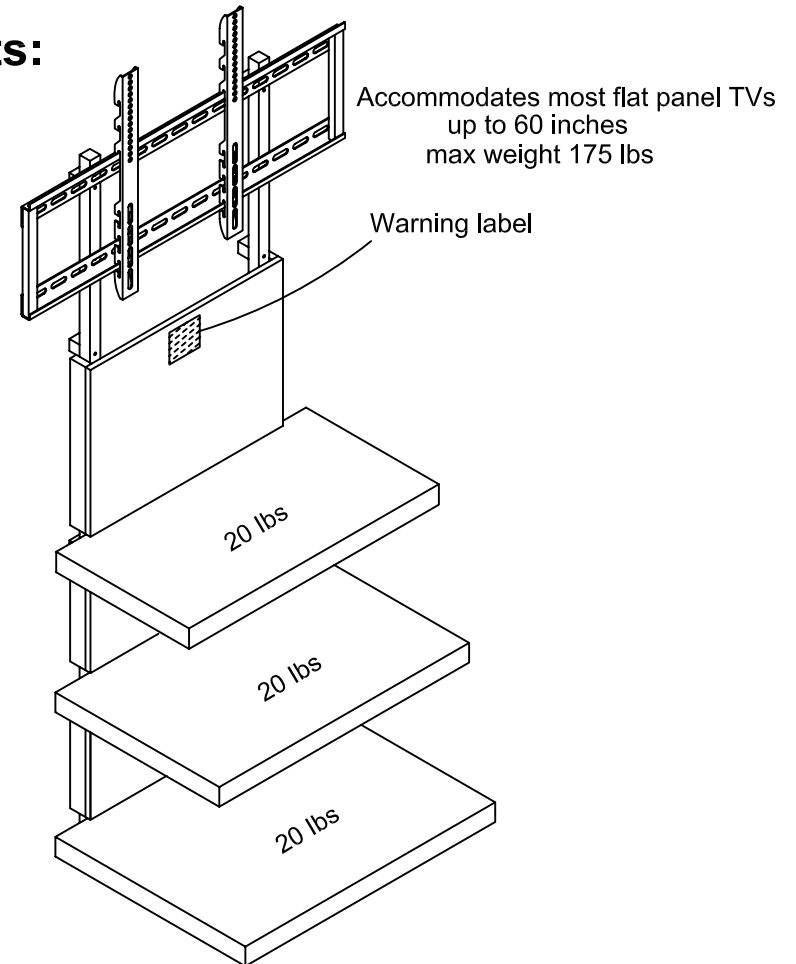
Move your new furniture carefully with two people. Lift and carry the unit. Never push or drag the unit. **DO NOT** allow children to climb or play on the unit. Failure to comply could result in serious injury.

This unit has been designed to support the maximum loads shown. Exceeding these load limits could cause unit sagging, instability, product collapse and/or serious injury.

Apply the warning label to the center of the upper back panel as shown, you will not be able to remove the label after it is applied to the top.

Additional parts are available for a nominal fee.

Weight Limits:



Enjoy Your Furniture