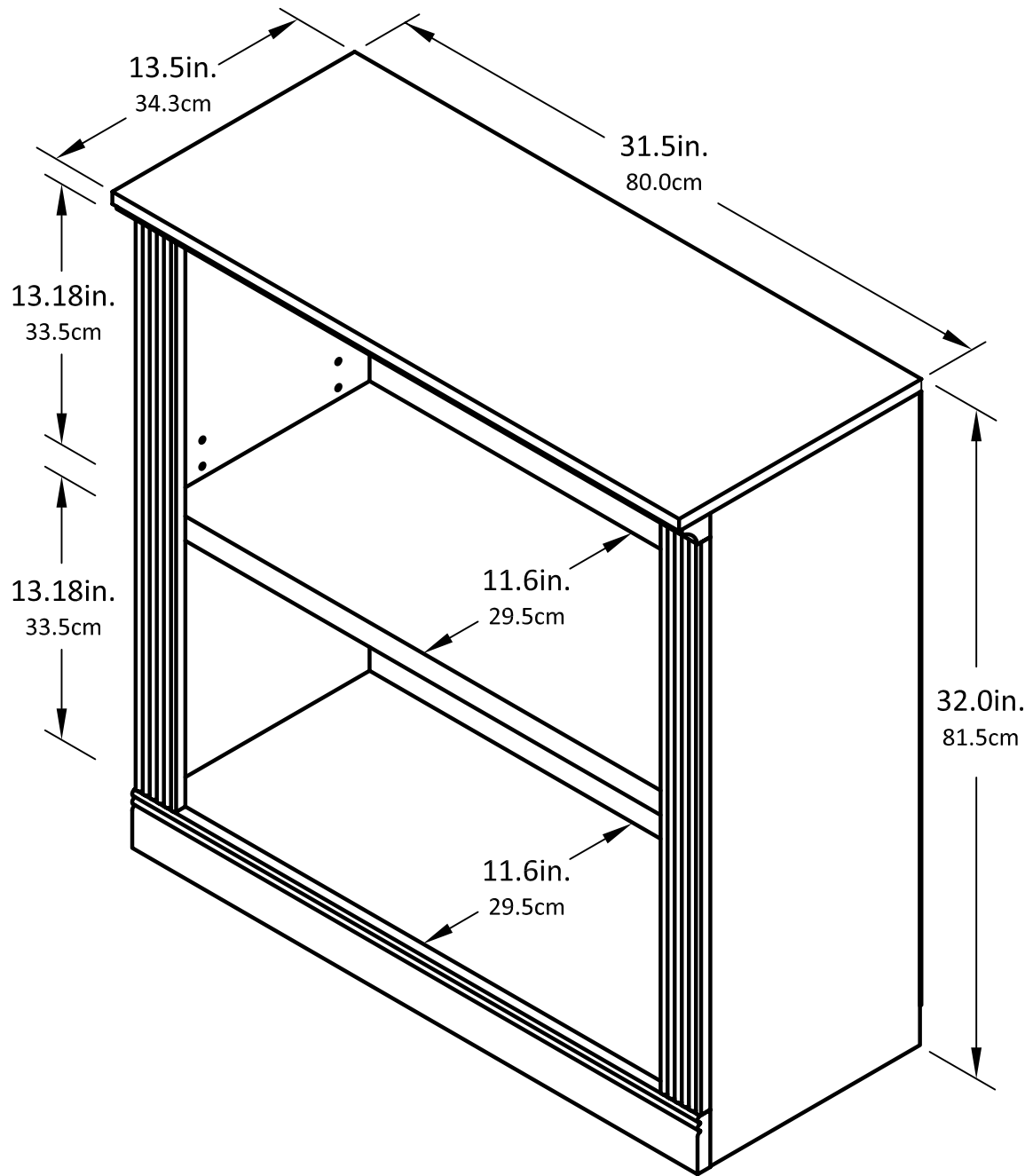


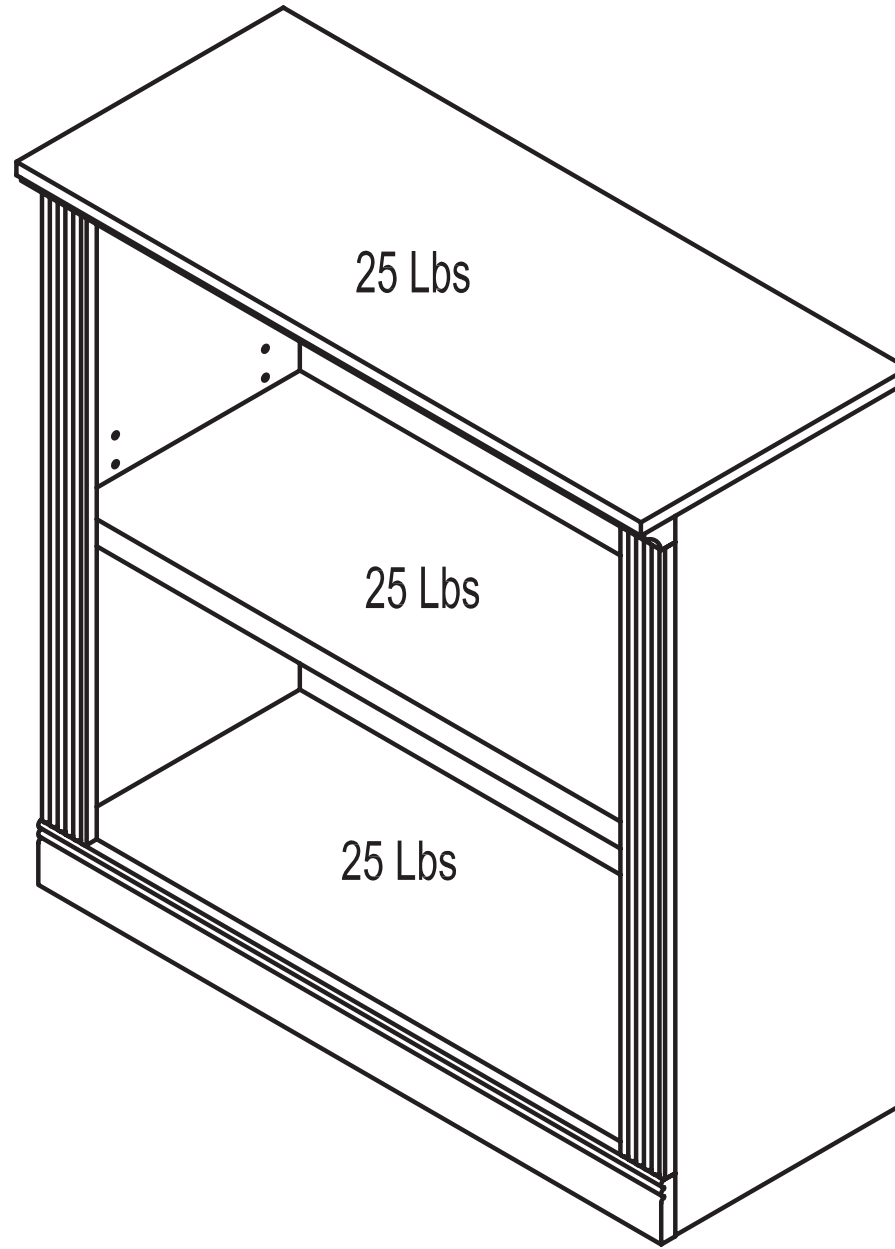
UNIT NO  
9471096/9471196

UNIT DESCRIPTION  
2 shelf bookcase

ASSEMBLED DIMENSIONS (W X D X H)  
31.5"\*13.5"\*32.0"



## MAXIMUM WEIGHT CAPACITIES



▲ Caution: this product is intended to hold the maximum weight (EVENLY DISTRIBUTED) indicated. Exceeding the maximum weight will result instability and may cause possible injury.