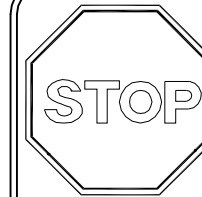
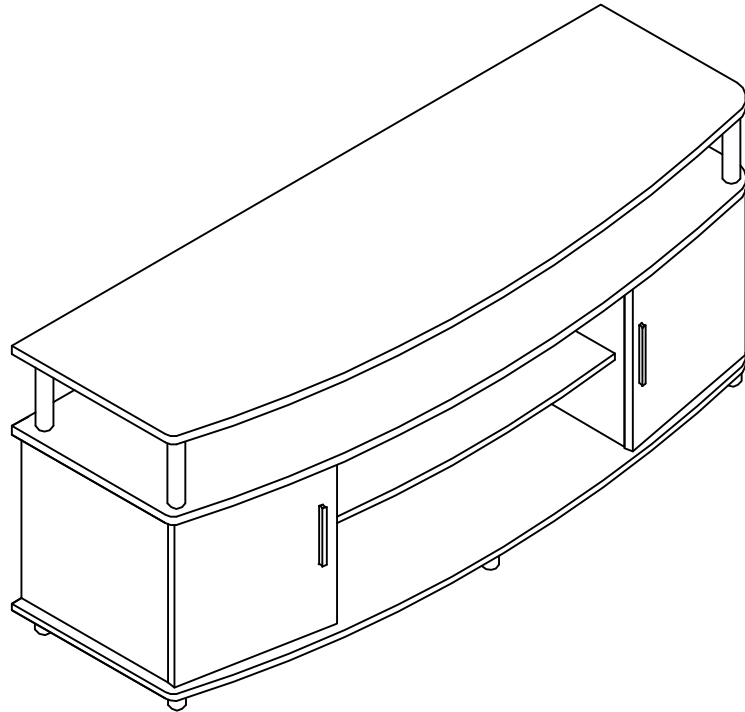




1195096



DO NOT RETURN PRODUCT TO THE STORE
Individual stores do not stock parts.

Lot Number: _____

Date Of Purchase: ___/___/___

If a part is missing or damaged, call our toll-free customer service line.
We will gladly ship your replacement parts **FREE** of charge.

Need Parts or Assistance?

1-800-489-3351

or access our website

www.altrafurniture.com

For prompt, reliable service please have your assembly manual ready.

Recommended # of people needed for assembly:2
(however it is always better to have an extra hand.)

Estimated assembly time is 30 minutes.

THIS INSTRUCTION BOOKLET CONTAINS
IMPORTANT SAFETY INFORMATION. PLEASE
READ AND KEEP FOR FUTURE REFERENCE.

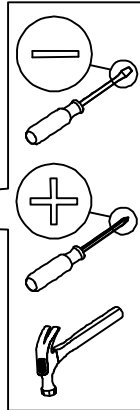
Spanish translations are located in the center of this manual,
Se localizan las traducciones españolas en el centro de este manual.

Thank you for purchasing from ALTRAFURNITURE.

Visit www.altrafurniture.com to view the limited warranty valid in the U.S. and Canada.

BEFORE STARTING

- Read each step carefully before starting. It is very important that each step of instruction is performed in the correct order. If these steps are not followed in sequence, assembly difficulties will occur.
- Make sure all parts are included. Most board parts are labeled or stamped on the raw edge.
- Work in spacious area, preferably on a carpet, near the place the unit will be used.
- Have the following tools close at hand.
- Do not use power tools to assemble your furniture. Power tools may strip or damage the parts.



HELPFUL HINTS

- Visit our website for assembly video clips.
- Call our toll free number if you need assistance.
- Compression dowels are tapped in with a hammer.
- Back panels provide stability and support. Use all the nails provided. Units without the back panel installed may collapse.
- When tapping nails into a board, be sure there are equal margins on all side to square the unit.
- Move your new furniture carefully, with two people lift and carry the unit to it's new location.
- Never push, drag or scoot your furniture (especially on carpet).
- Your ALTRAFURNITURE can be disassembled and reassembled to move
- Additional parts are available for a nominal fee.

For help with assembly, identifying parts, product information or to order parts, please contact us:



Call us at: 1-800-489-3351

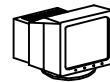
Monday-Friday
7:00 am - 8:00 pm
Saturday
9:00 am - 5:00 pm
(Central Time)



FAX:

1-636-745-1005

available 24 hours a day,
7 days a week



Visit our website:

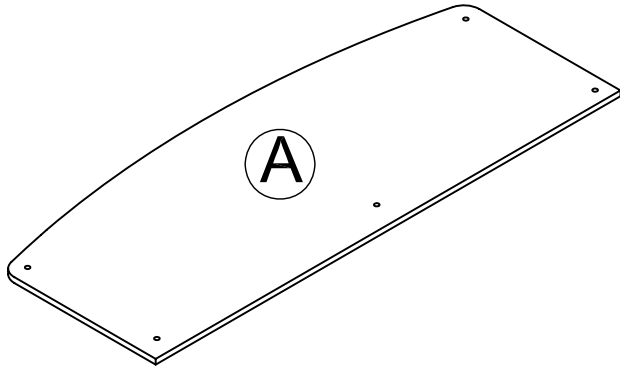
www.altrafurniture.com



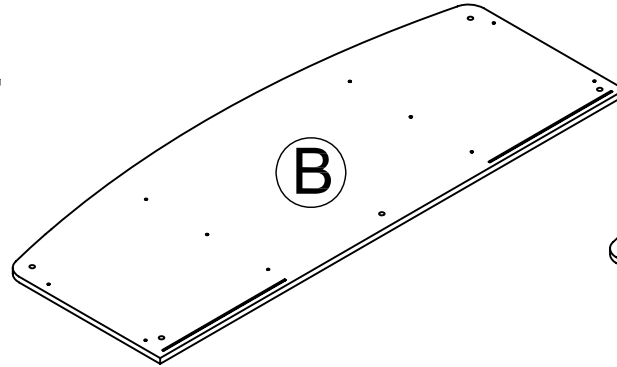
Write to:

ALTRA FURNITURE
410 East 1st Street South Wright City,
MO 63390 USA
Attn: Service Dept.

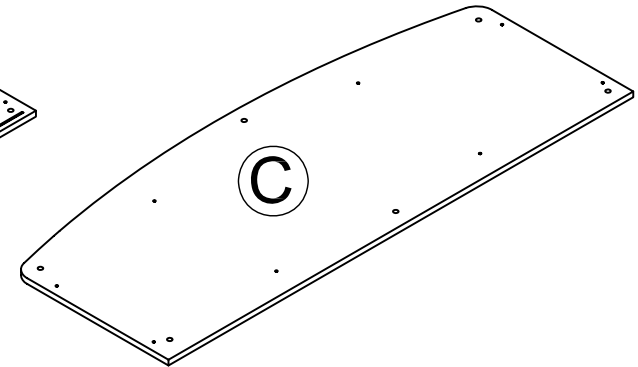
PARTS



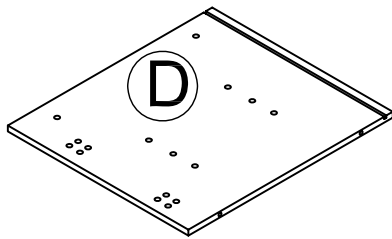
TOP
T1195096010



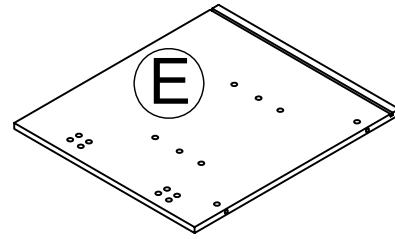
MIDDLE TOP
T1195096020



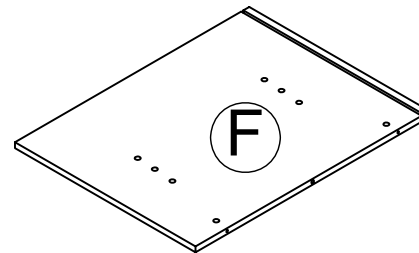
BOTTOM
T1195096030



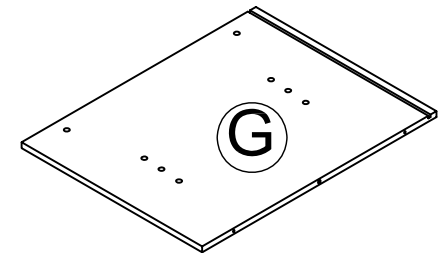
LEFT SIDE PANEL
T1195096040



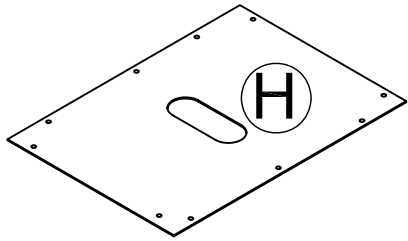
RIGHT SIDE PANEL
T1195096050



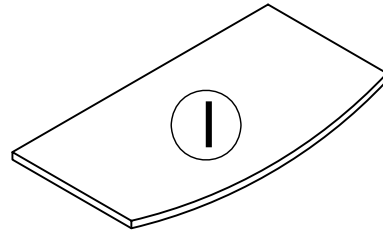
LEFT PARTITION
T1195096060



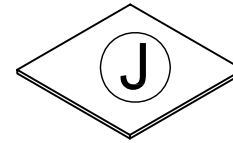
RIGHT PARTITION
T1195096070



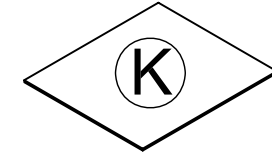
BACK PANEL
T1195096080



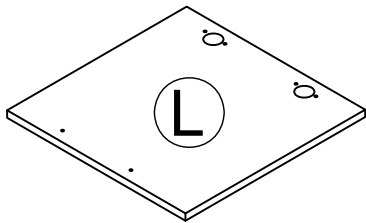
SHELF
T1195096090



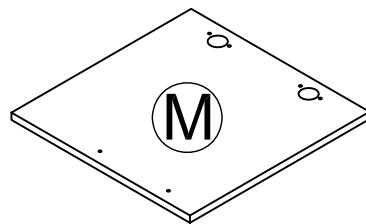
SHELF
T1195096100
2PCS



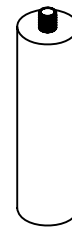
BACK PANEL
T1195096110
2PCS



LEFT DOOR
T1195096120



RIGHT DOOR
T1195096130

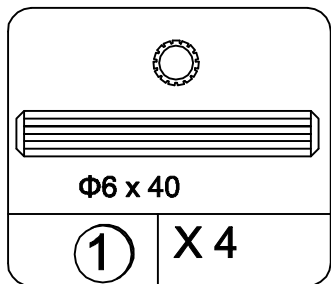


SUPPORT TUBE
T1195096140
5PCS

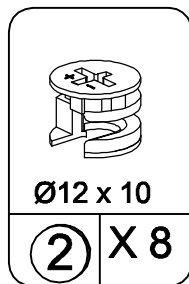
LEG
T1195096150
6PCS



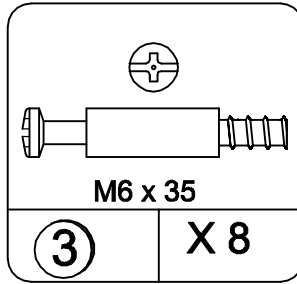
WARNING LABEL
TTL1195



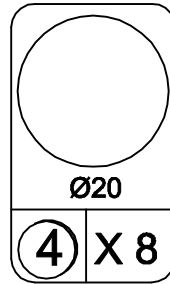
WOOD DOWEL
TTL4008



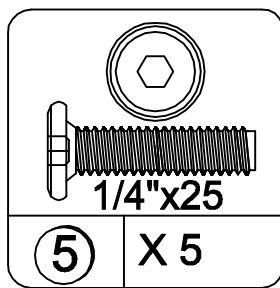
SMALL CAM LOCK
TTL6011



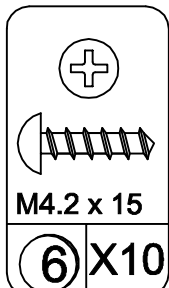
SMALL CAM BOLT
TTL6012



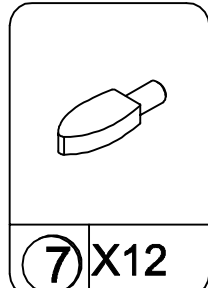
COVER
TTL6010



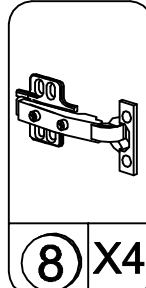
BOLT
TTL2020



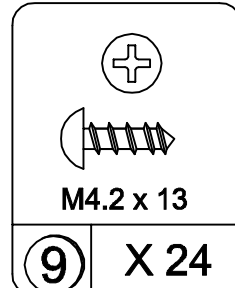
SCREW
TTL5001



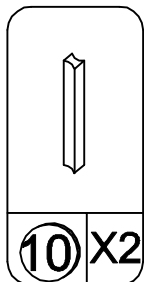
SHELF SUPPORT HINGE
TTL5008



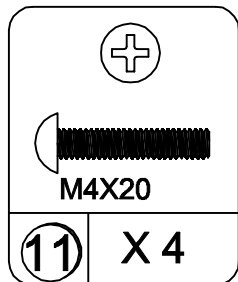
TTL5004



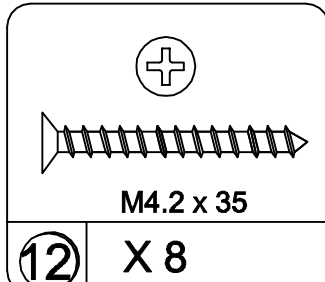
SCREW
TTL5005



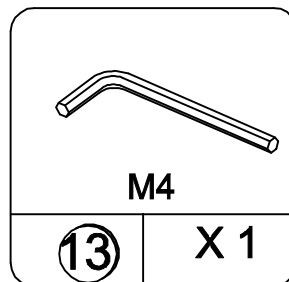
HANDLE
TTL9105



BOLT
TTL5007

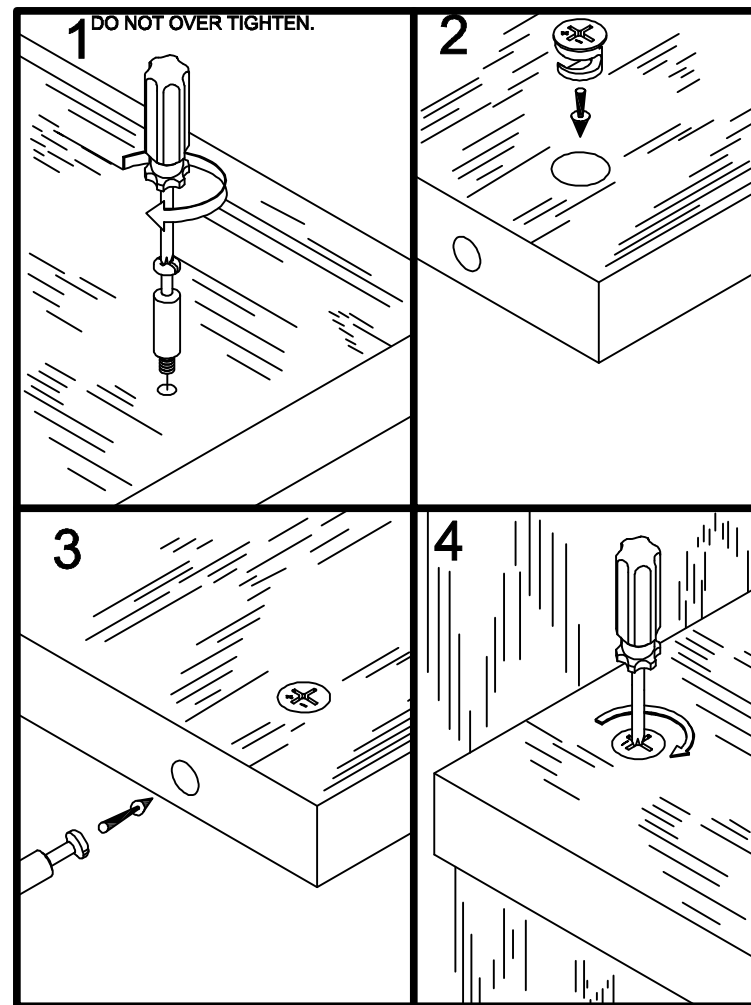


SCREW
TTL5002

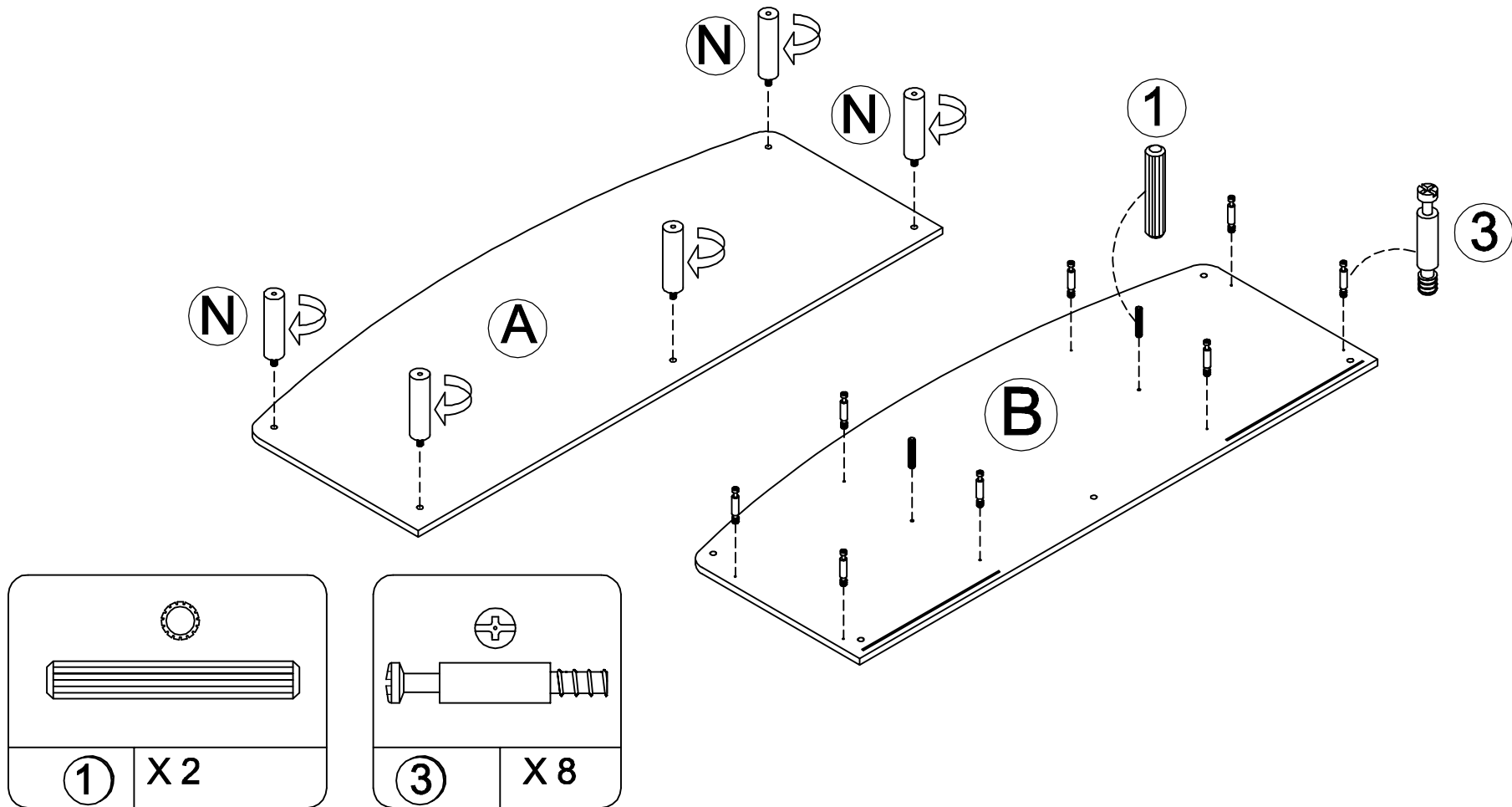


HEX KEY
TTL5003

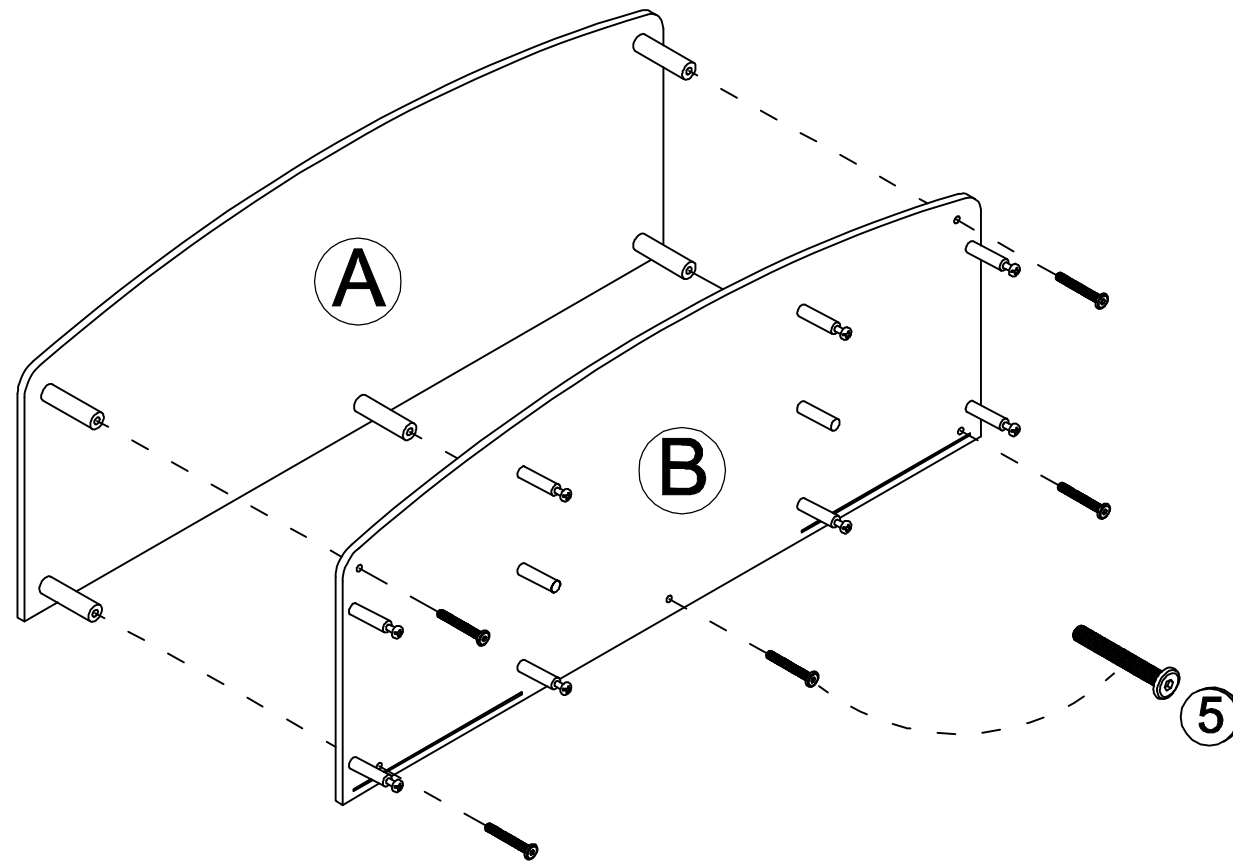
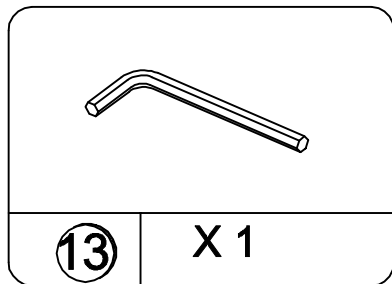
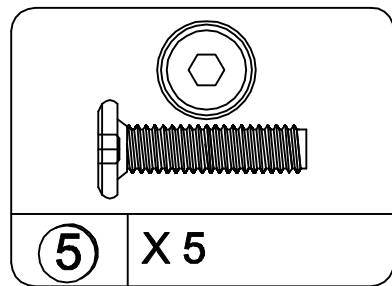
This illustration shows how the CAM fastening system works.



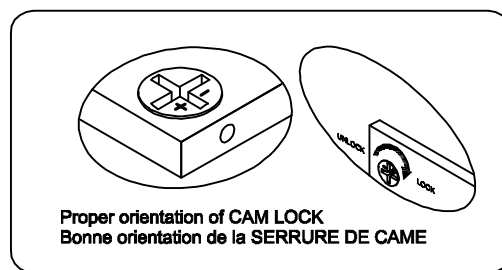
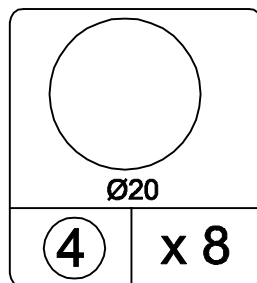
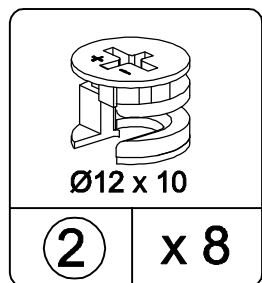
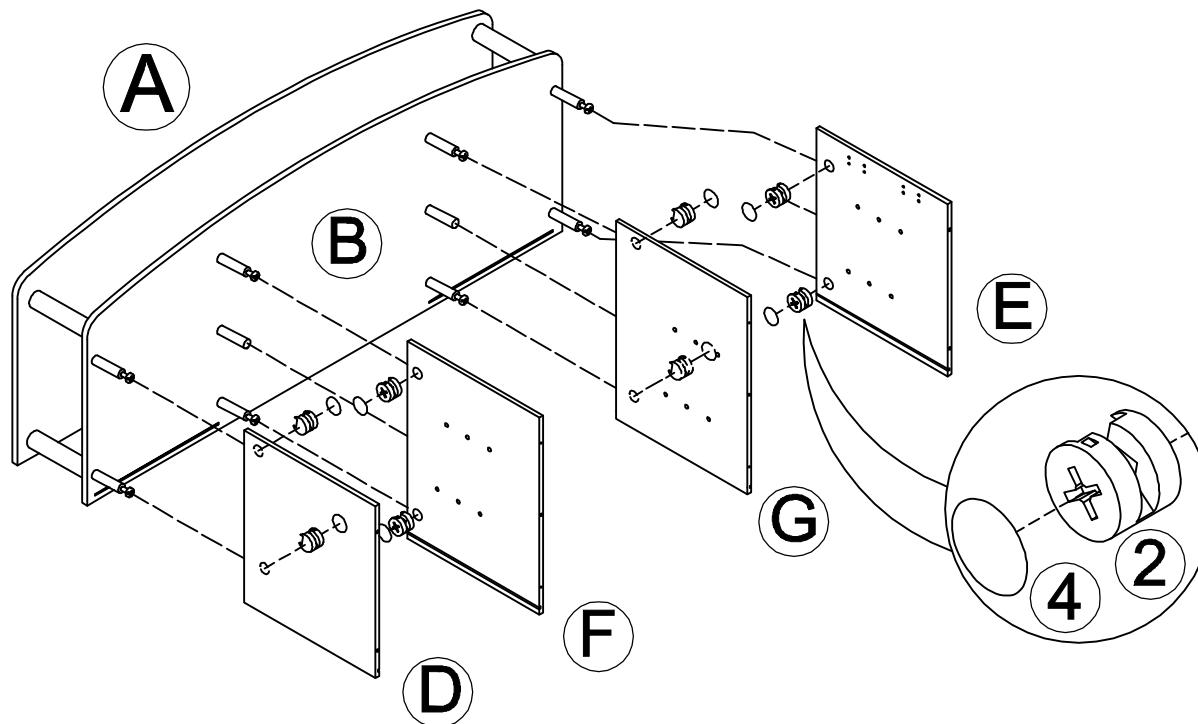
- 1** - Attach five support tubes (N) to top (A) as shown.
- Insert two wood doewls (1) into the holes of middle top (B) as shown.
- Screw eight cam bolts (3) into the holes of middle top (B) as shown.



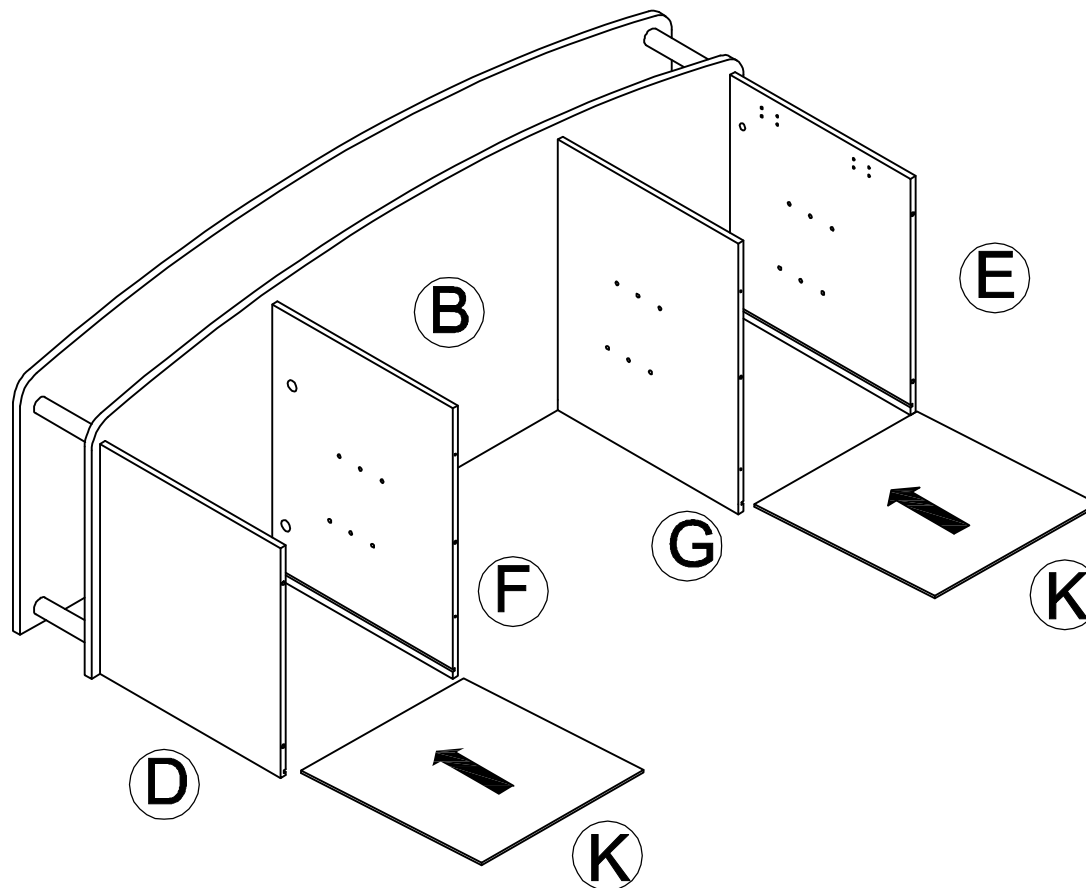
2 - Attach middle top (B) to top (A) with five bolts (5) as shown.



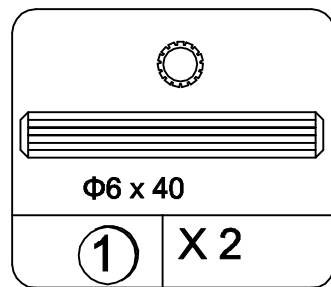
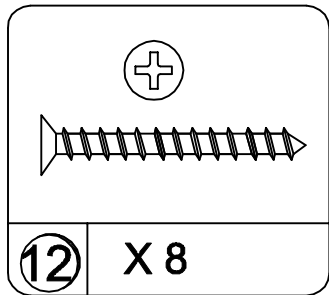
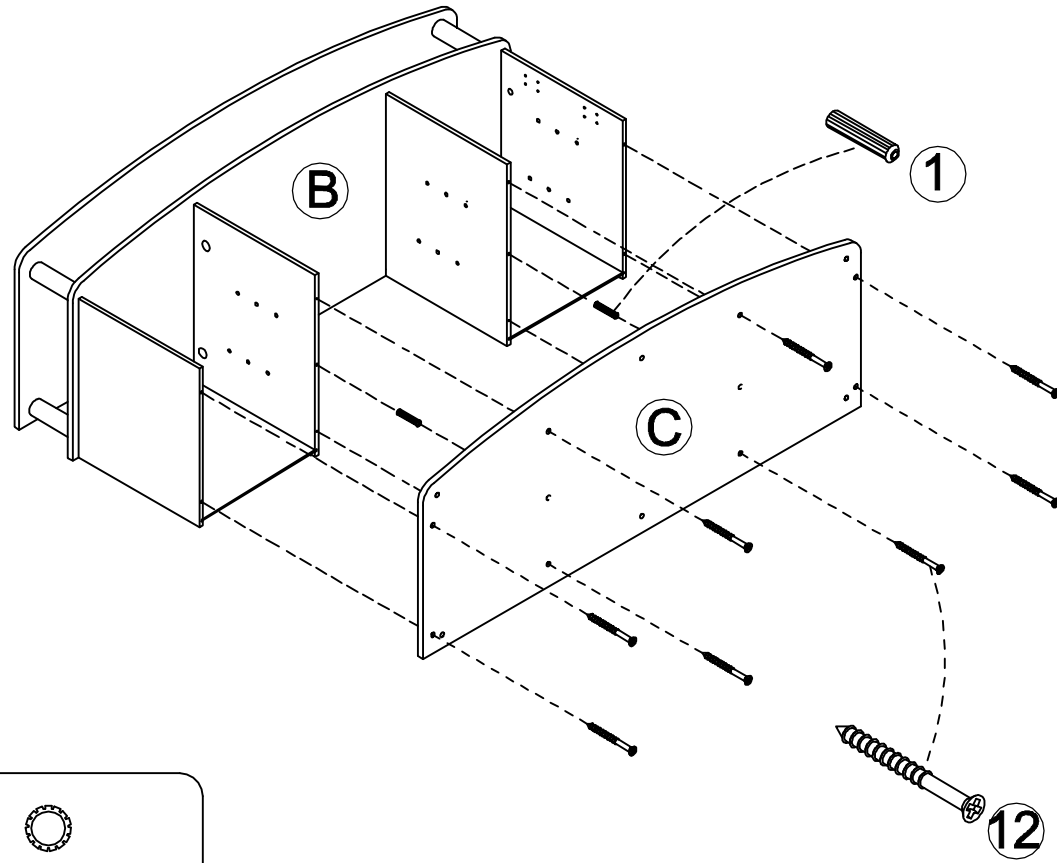
3 - Attach side panels (D&F&G&E) to assembled unit with eight cam locks (2) and eight covers (4) as shown.



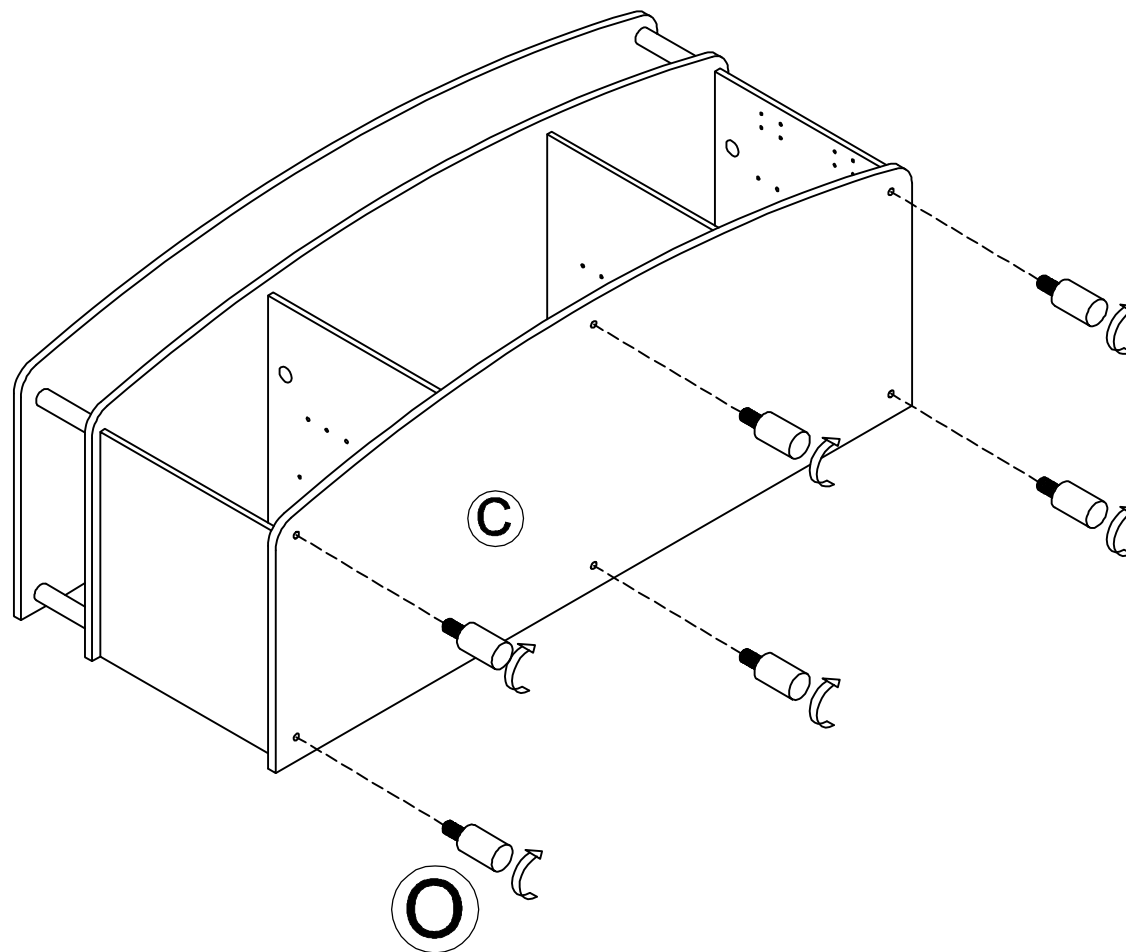
4 - Insert two back panels (K) into the grooves of side panels (D&F&G&E) as shown.



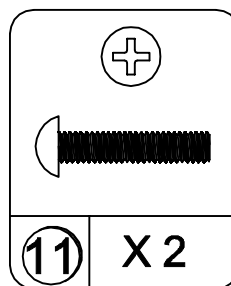
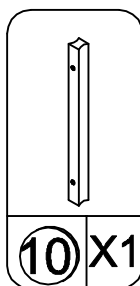
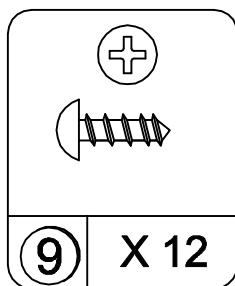
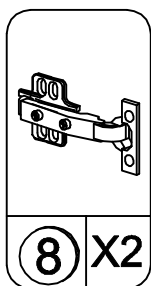
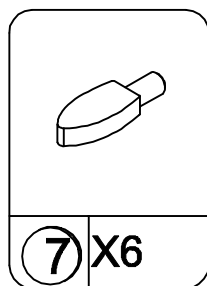
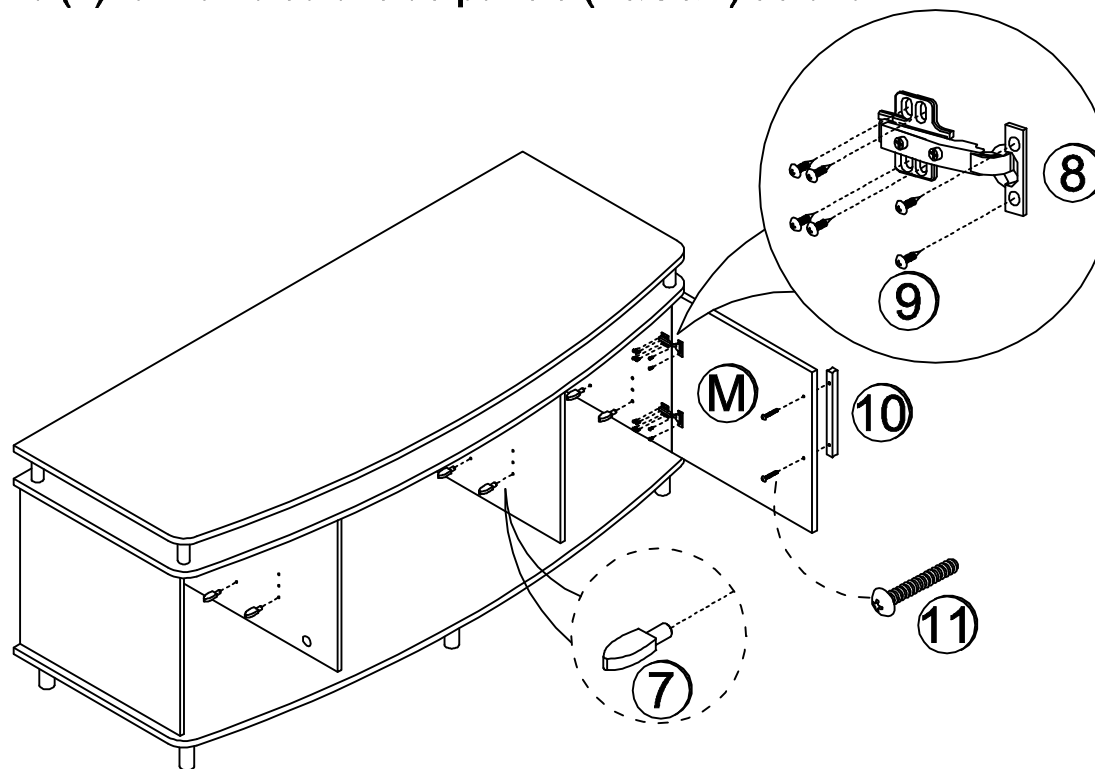
5 - Attach bottom (C) to the assembled unit with two wood dowels (1) and eight screws (12) as shown.



6 - Attach six legs (O) to the assembled unit as shown.

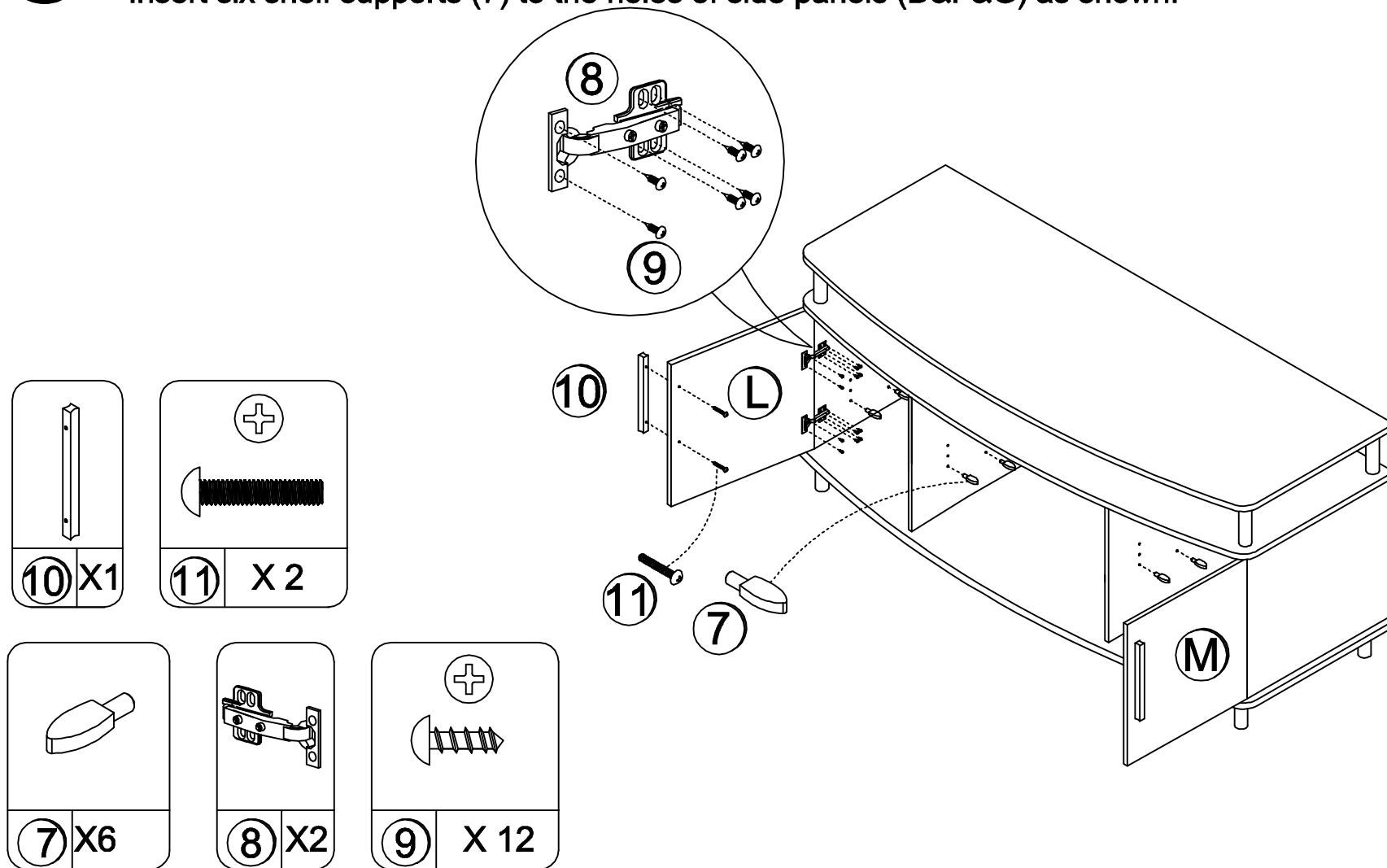


- 7**
- Attach one hinge (8) to right side panel (E) and right door (M) with six screws (9) as shown.
 - Attach handle (10) to right door (M) with two bolts (11) as shown.
 - Insert six shelf supports (7) to the holes of side panels (F&G&E) as shown.

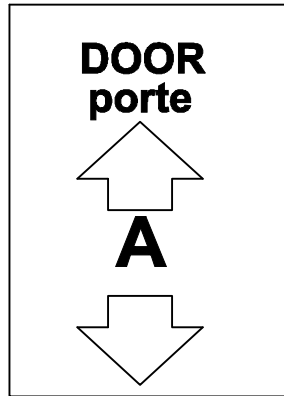


8

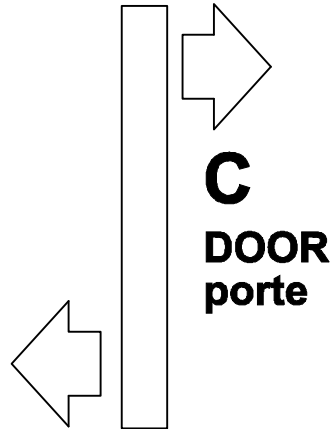
- Attach one hinge (8) to left side panel (D) and left door (L) with six screws (9) as shown.
- Attach handle (10) to left door (L) with two bolts (11) as shown.
- Insert six shelf supports (7) to the holes of side panels (D&F&G) as shown.



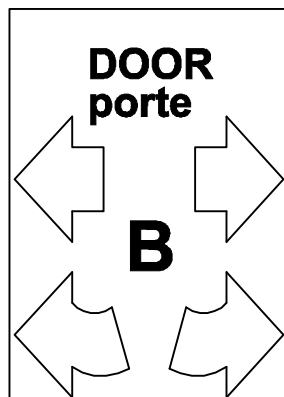
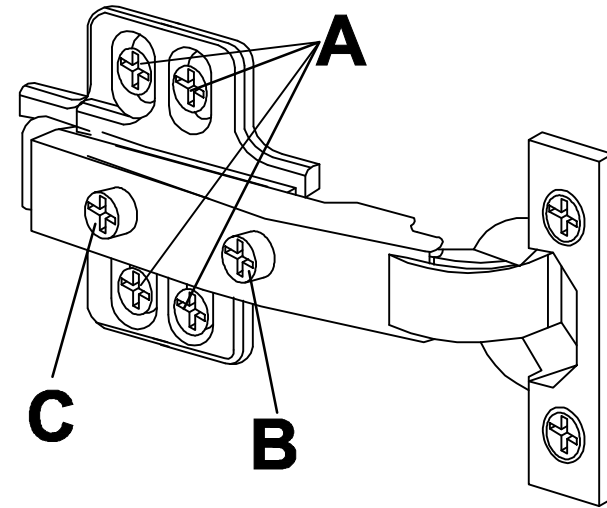
9



FRONT VIEW
vue de face



SIDE VIEW
vue de côté



FRONT VIEW
vue de face

To adjust doors:"A"
Loosen "A" screws.
Adjust door.
Tighten "A" screws.

Pour ajuster les portes: "A"
Desserraz les vis "A".
Ajustez la porte.
Serrez les vis "A".

To adjust doors:"B"
Loosen "C" screw.
Turn "B" to move door.
Tighten "C" screws.

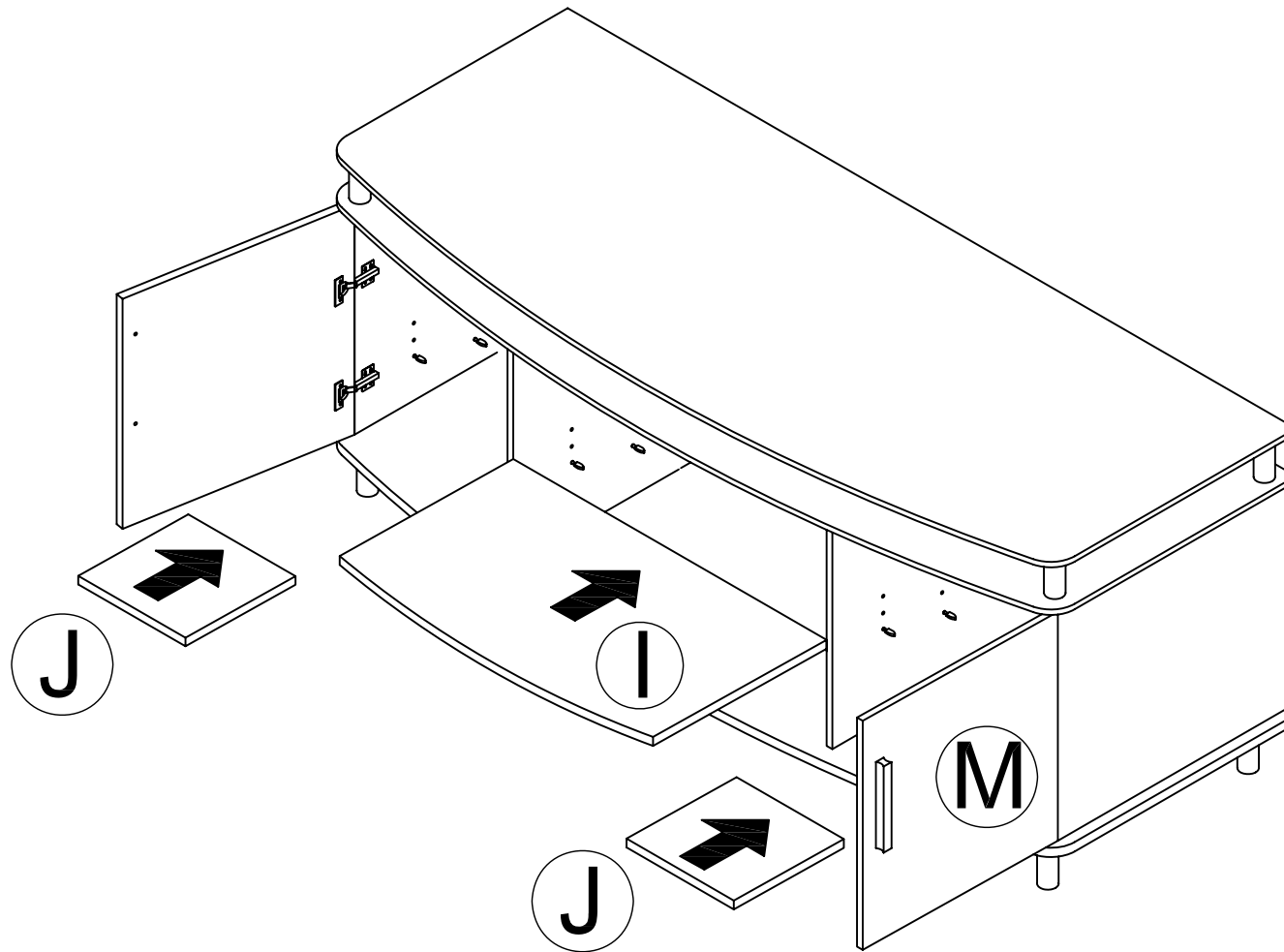
Pour ajuster les portes: "B"
Desserraz la vis "C".
Tournez la vis "B" pour déplacer
la porte
Serrez la vis "C".

To adjust doors:"C"
Loosen "C" screws.
Adjust door.
Tighten "C" screws.

Pour ajuster les portes: "C"
Desserraz la vis "C".
Ajustez la porte.
Serrez la vis "C".

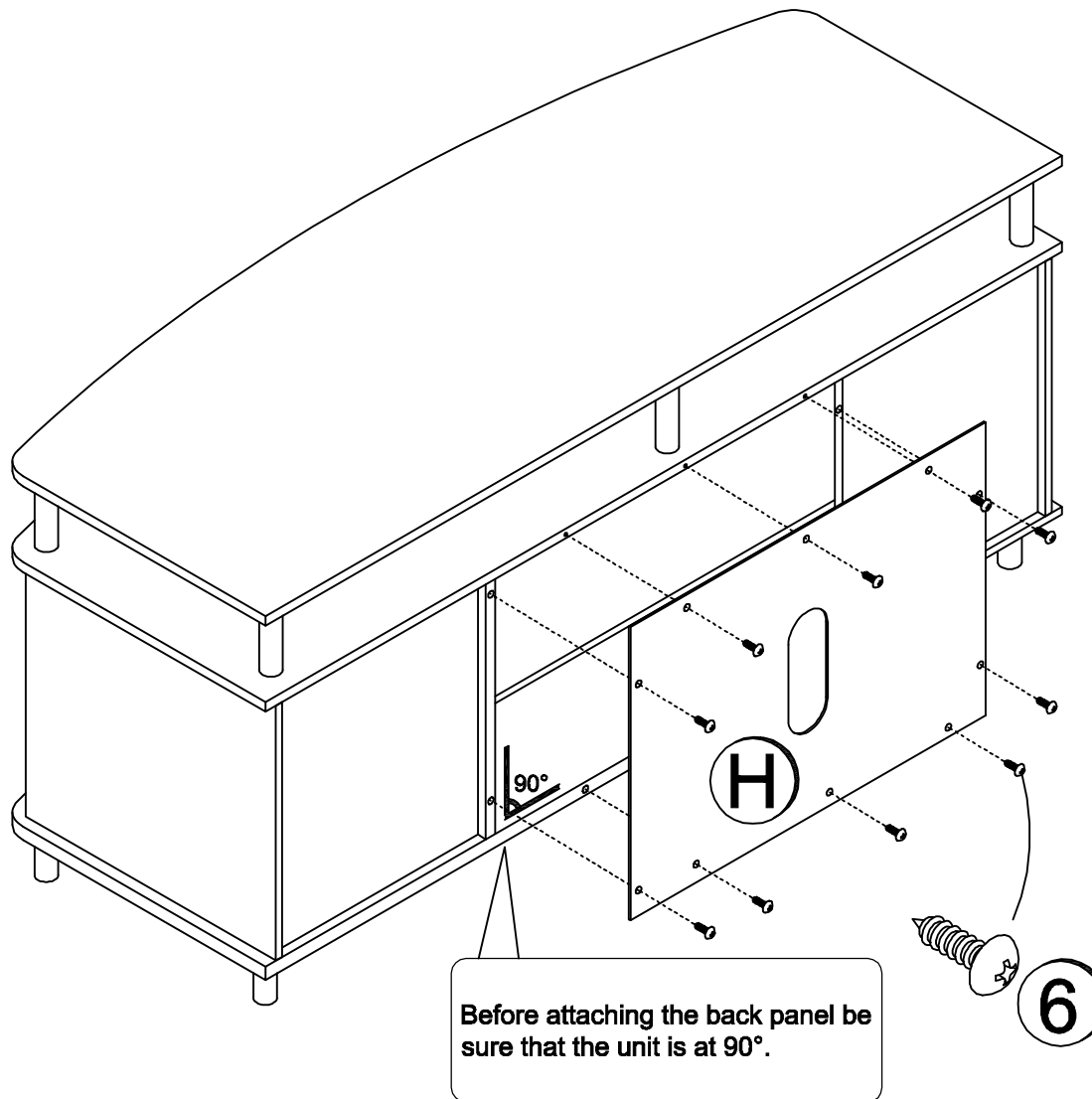
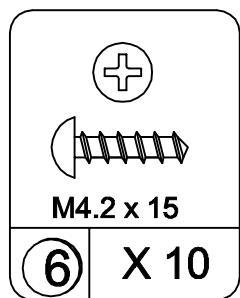
10

- Put shelves (J&I) into the assembled unit as shown.



11

- Attach back panel (H) to the assembled unit with ten screws (6) as shown.



Call our toll free number for any assistance you should need or visit our website:

1-800-489-3351

www.altrafurniture.com

Clean the product with your favorite furniture polish and a soft cloth. **DO NOT USE** harsh chemicals or abrasive cleaners.

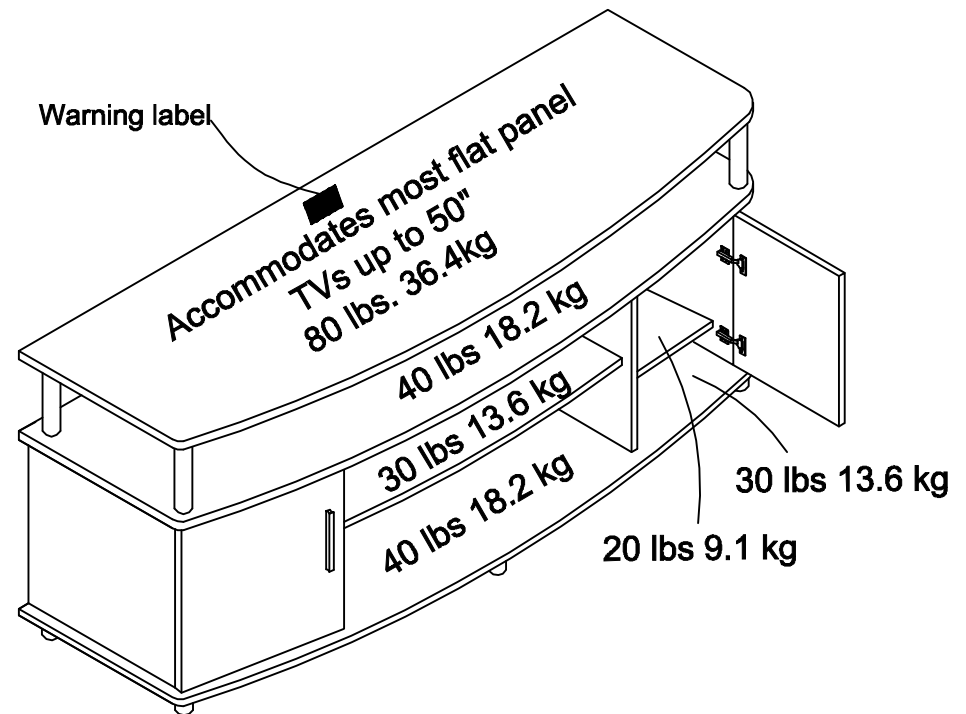
Move your new furniture carefully with two people. Lift and carry the unit. Never push or drag the unit. **DO not** allow children to climb or play on the unit. Failure to comply could result in serious injury.

This unit has been designed to support the maximum loads shown. Exceeding these load limits could cause unit sagging, instability, product collapse and/or serious injury.

Apply the warning label to the center of the top as shown, be sure the TV covers the label in use before applying to the TV Stand. You will not be able to remove the label after it is applied to the top.

Additional parts are available for a nominal fee.

WEIGHT LIMITS:



Enjoy Your Furniture