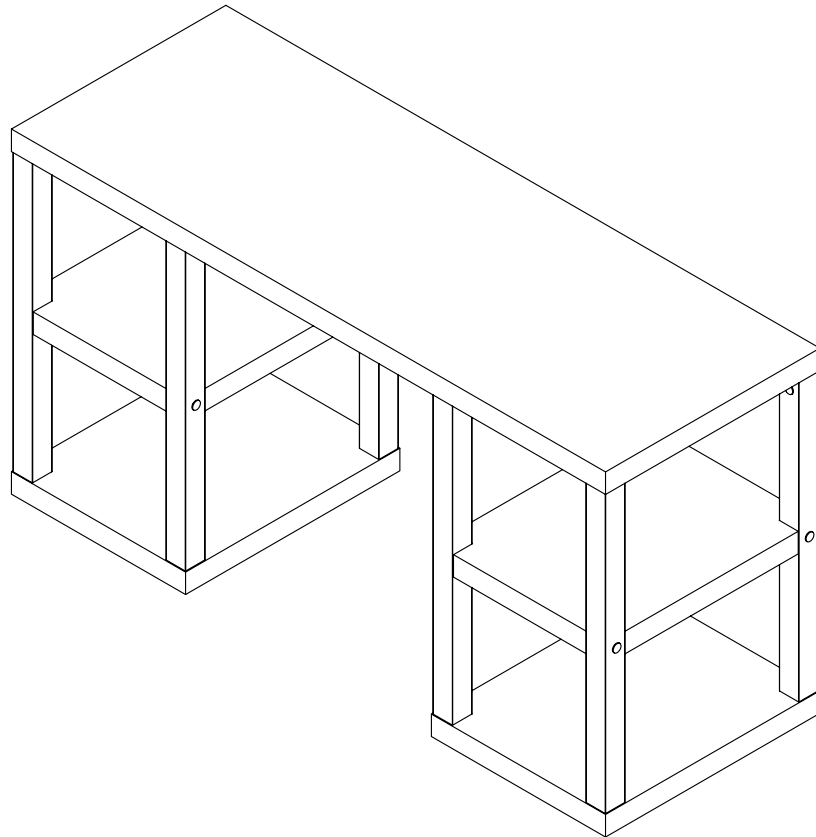




9318196W



THIS INSTRUCTION BOOKLET CONTAINS **IMPORTANT** SAFETY INFORMATION. PLEASE READ AND KEEP FOR FUTURE REFERENCE.

 DO NOT RETURN PRODUCT TO THE STORE
Individual stores do not stock parts.

Lot Number: _____
Date Of Purchase: ___ / ___ / ___

If a part is missing or damaged, call our toll-free customer service line.
We will gladly ship your replacement parts FREE of charge.

1-800-489-3351
or access our website
www.altrafurniture.com

For prompt, reliable service please have your assembly manual ready.

Recommended # of people needed for assembly:2
(however it is always better to have an extra hand.)
Estimated assembly time is 30 minutes.

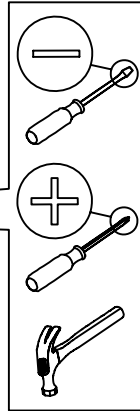
Spanish translations are located in the center of this manual,
Se localizan las traducciones españolas en el centro de este manual.

Thank you for purchasing from ALTRAFURNITURE.

Visit www.altrafurniture.com to view the limited warranty valid in the U.S. and Canada.

BEFORE STARTING

- Read each step carefully before starting. It is very important that each step of instruction is performed in the correct order. If these steps are not followed in sequence, assembly difficulties will occur.
- Make sure all parts are included. Most board parts are labeled or stamped on the raw edge.
- Work in spacious area, preferably on a carpet, near the place the unit will be used.
- Have the following tools close at hand.
- Do not use power tools to assemble your furniture. Power tools may strip or damage the parts.



HELPFUL HINTS

- Visit our website for assembly video clips.
- Call our toll free number if you need assistance.
- Compression dowels are tapped in with a hammer.
- Back panels provide stability and support. Use all the nails provided. Units without the back panel installed may collapse.
- When tapping nails into a board, be sure there are equal margins on all side to square the unit.
- Move your new furniture carefully, with two people lift and carry the unit to it's new location.
- Never push, drag or scoot your furniture (especially on carpet).
- Your ALTRAFURNITURE can be disassembled and reassembled to move
- Additional parts are available for a nominal fee.

For help with assembly, identifying parts, product information or to order parts, please contact us:



Call us at: 1-800-489-3351

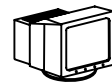
Monday-Friday
7:00 am - 8:00 pm
Saturday
9:00 am - 5:00 pm
(Central Time)



FAX:

1-636-745-1005

available 24 hours a day,
7 days a week



Visit our website:

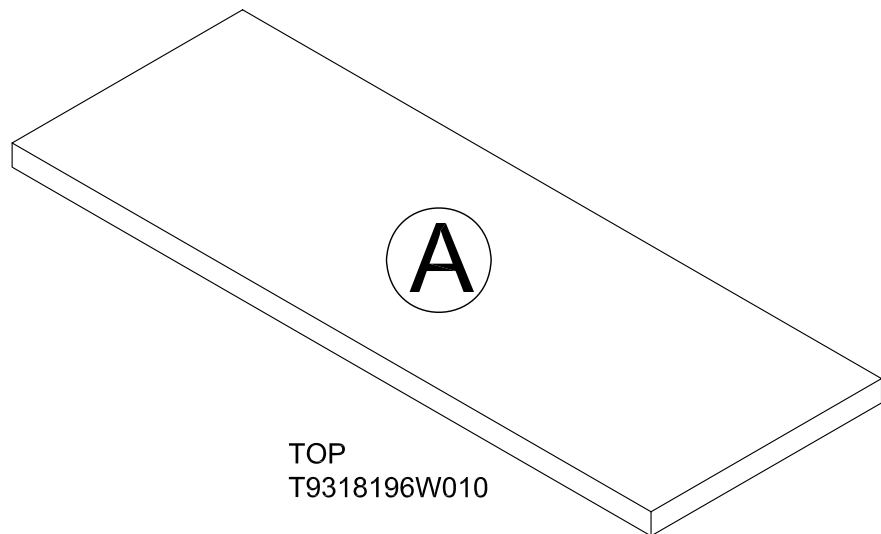
www.altrafurniture.com



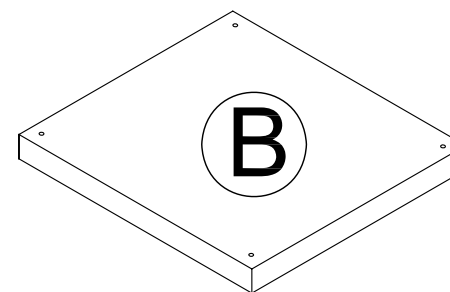
Write to:

ALTRA FURNITURE
410 East 1st Street South Wright City,
MO 63390 USA
Attn: Service Dept.

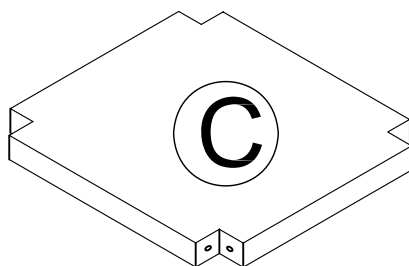
PARTS



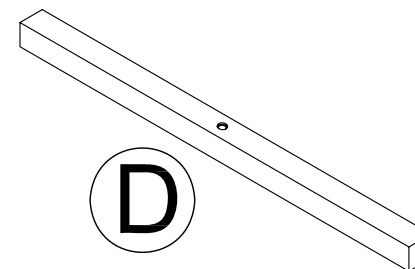
TOP
T9318196W010



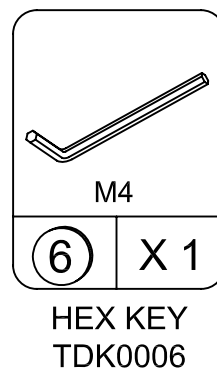
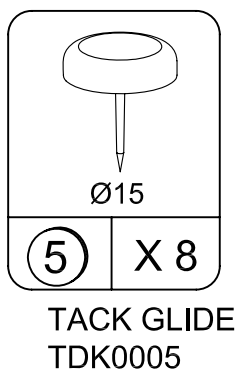
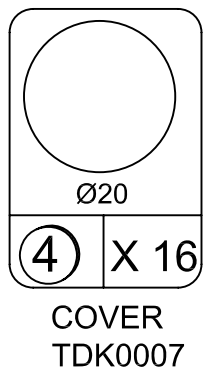
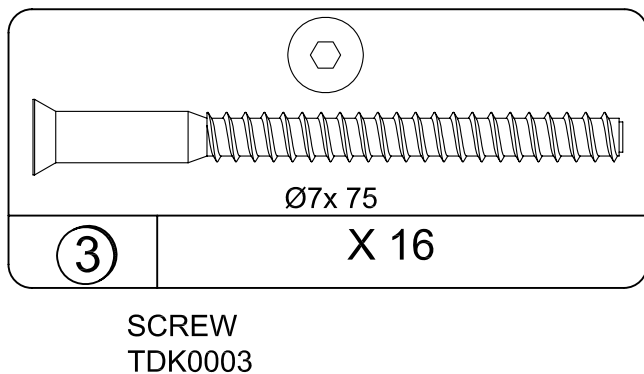
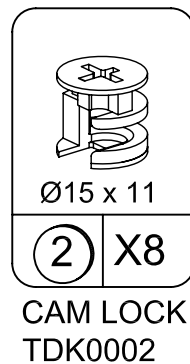
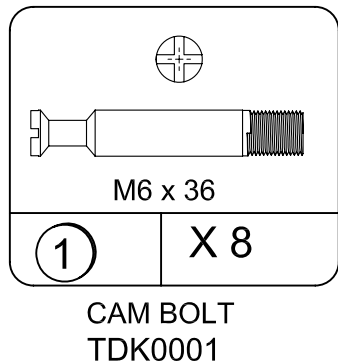
BOTTOM (2)
T9318196W020



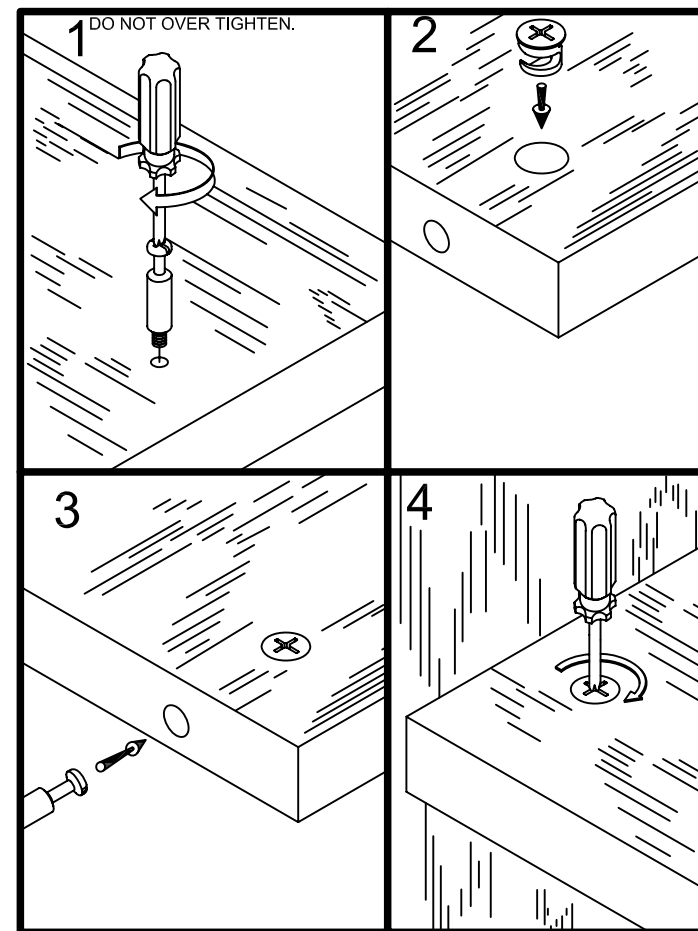
FIXED SHELF (2)
T9318196W030



LEG (8)
T9318196W040

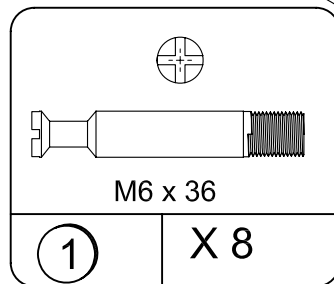
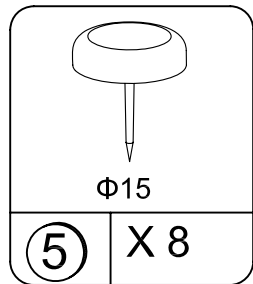
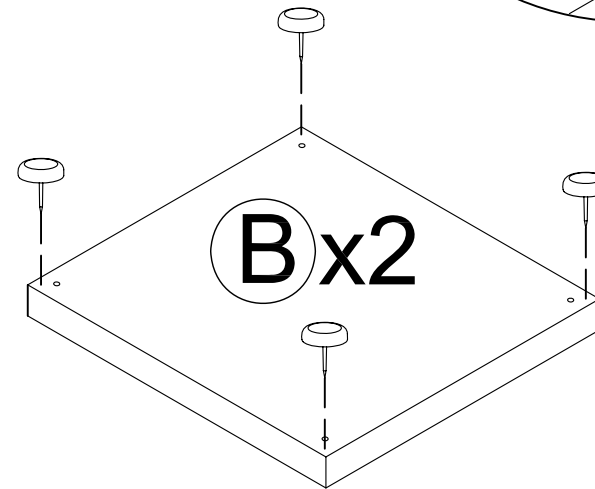
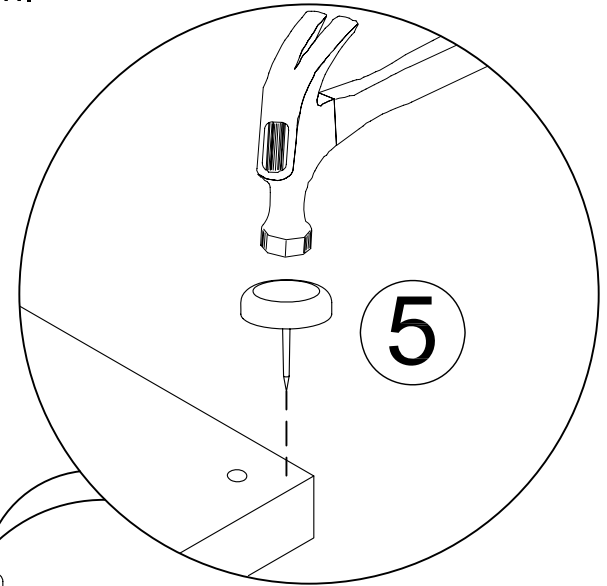
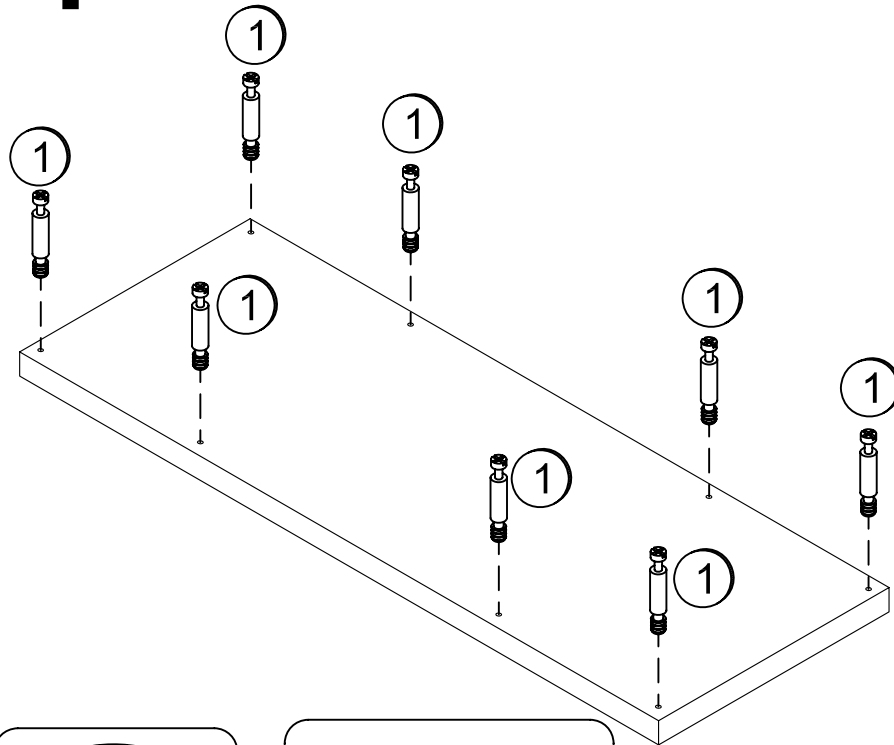


This illustration shows how the CAM fastening system works.



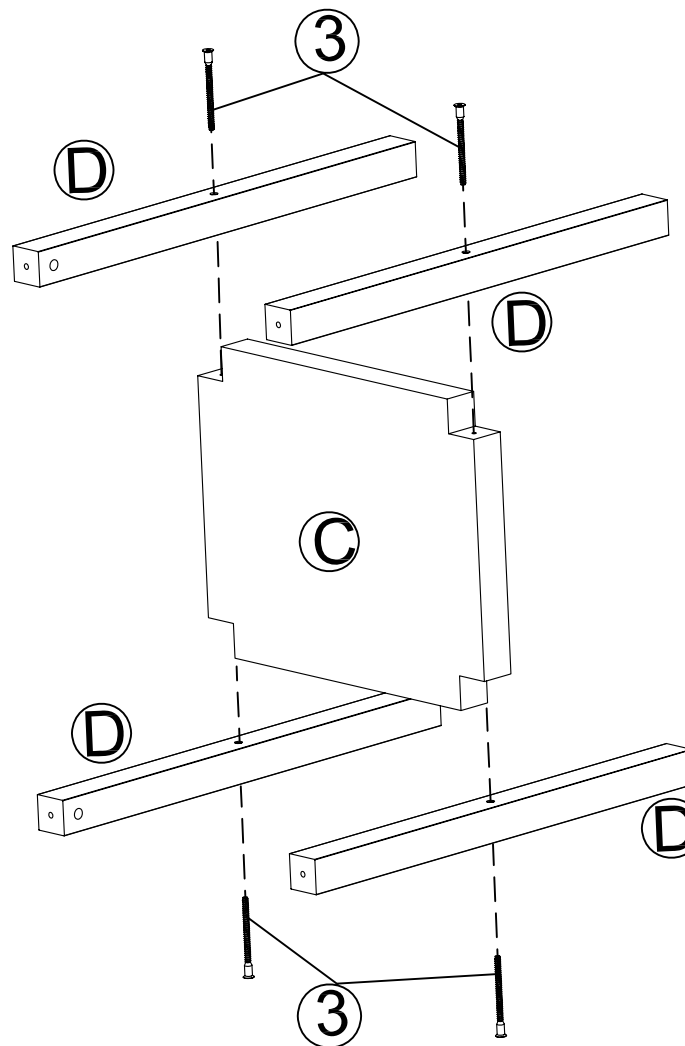
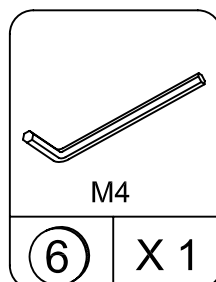
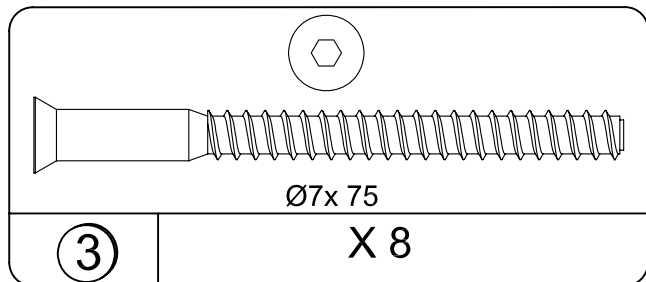
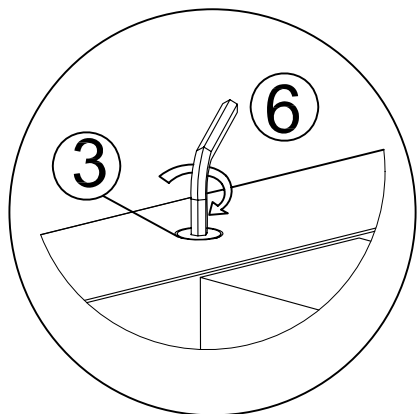
- Screw 8 cam bolts (1) to the holes of top as shown.
- Attach 8 tack glides (5) to the underneath of the bottom (B) as shown.

1



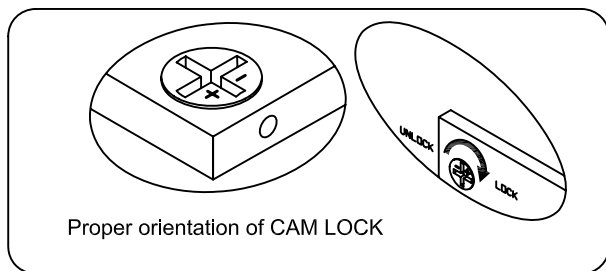
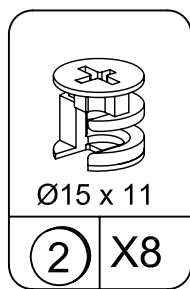
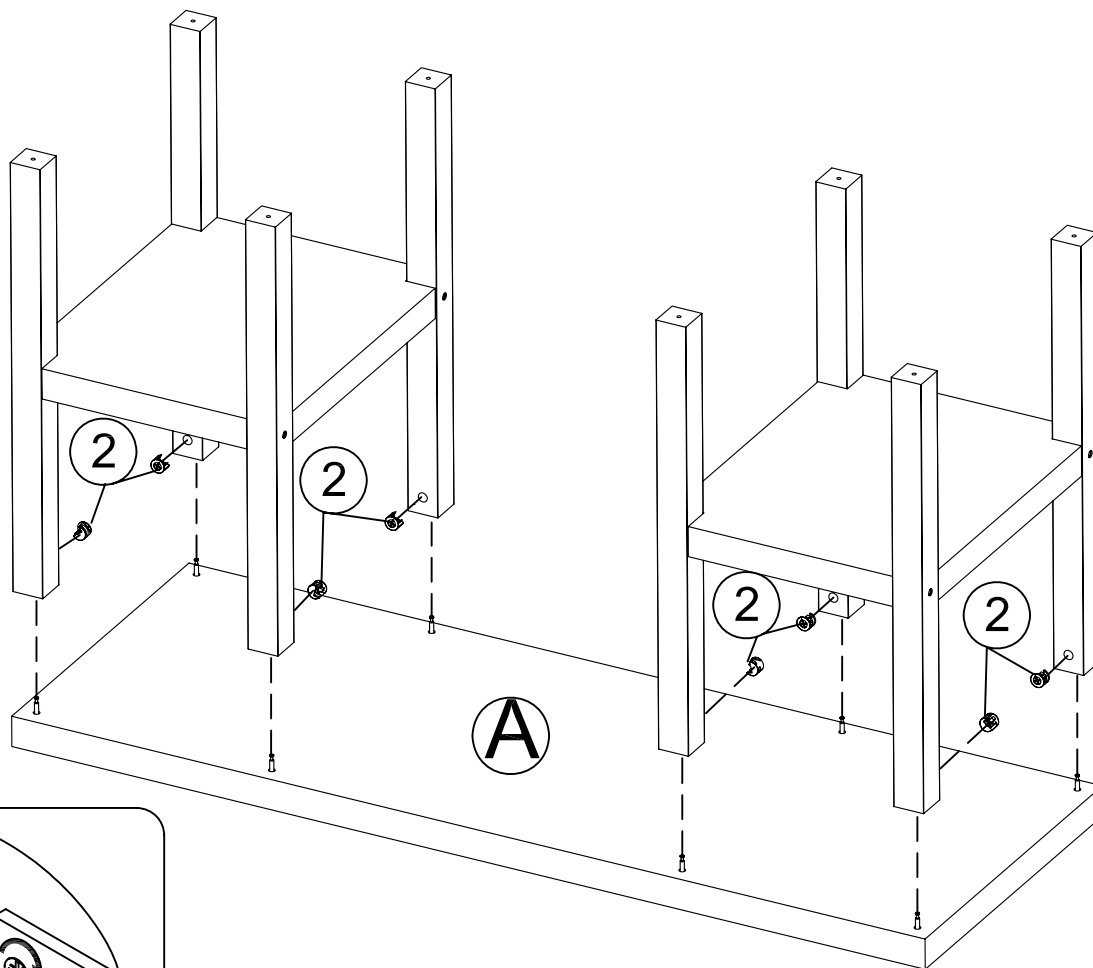
2x2

- Attach legs (D) to the fixed shelf (C) with screws (3) as shown.

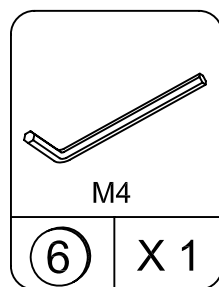
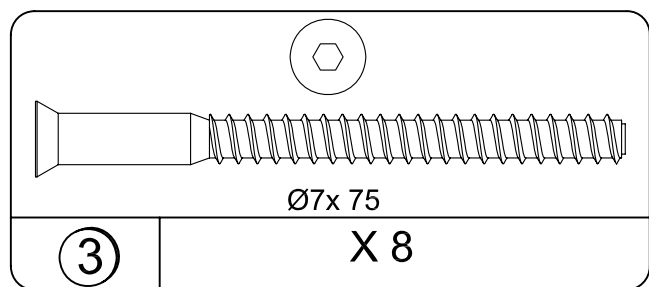
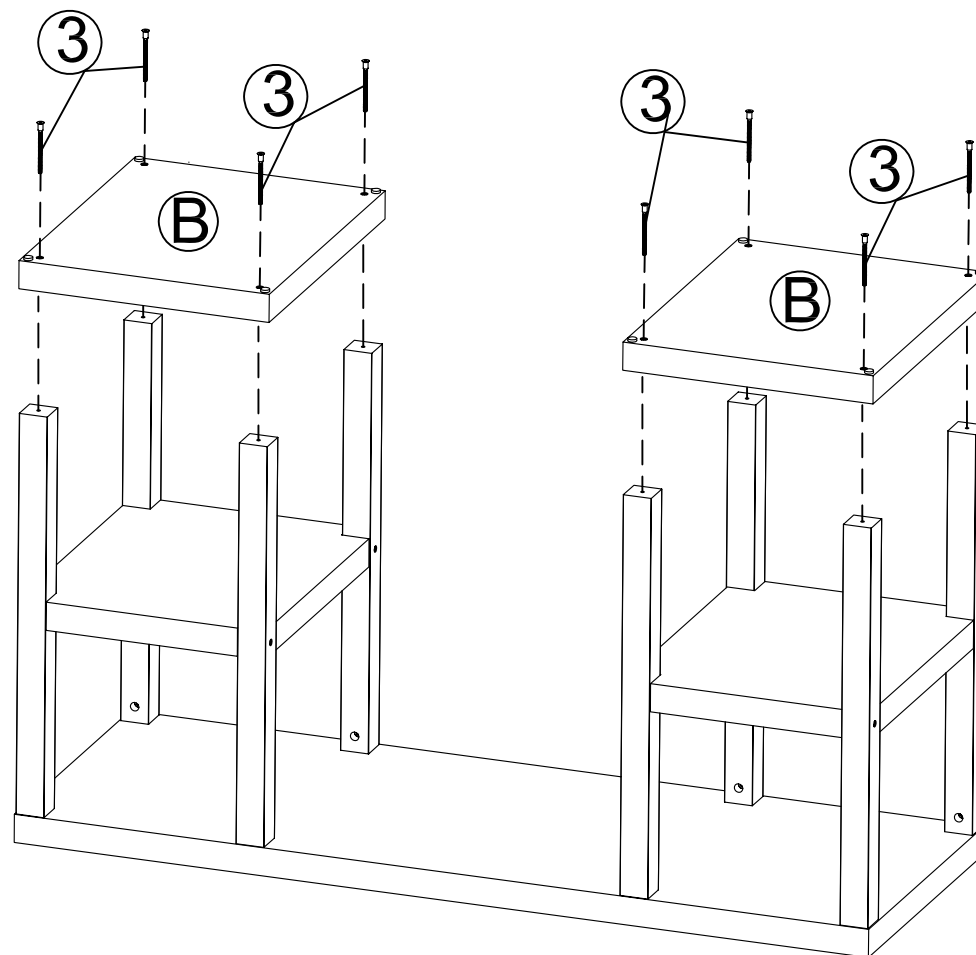
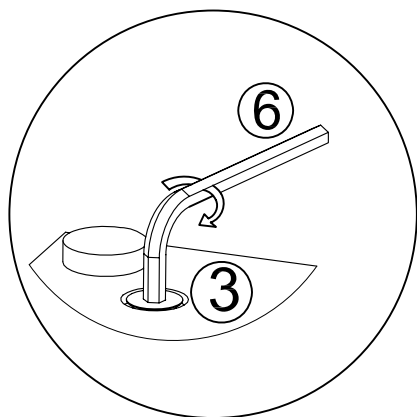


3

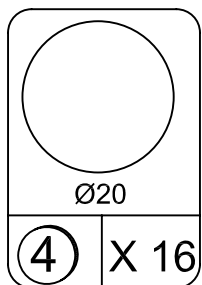
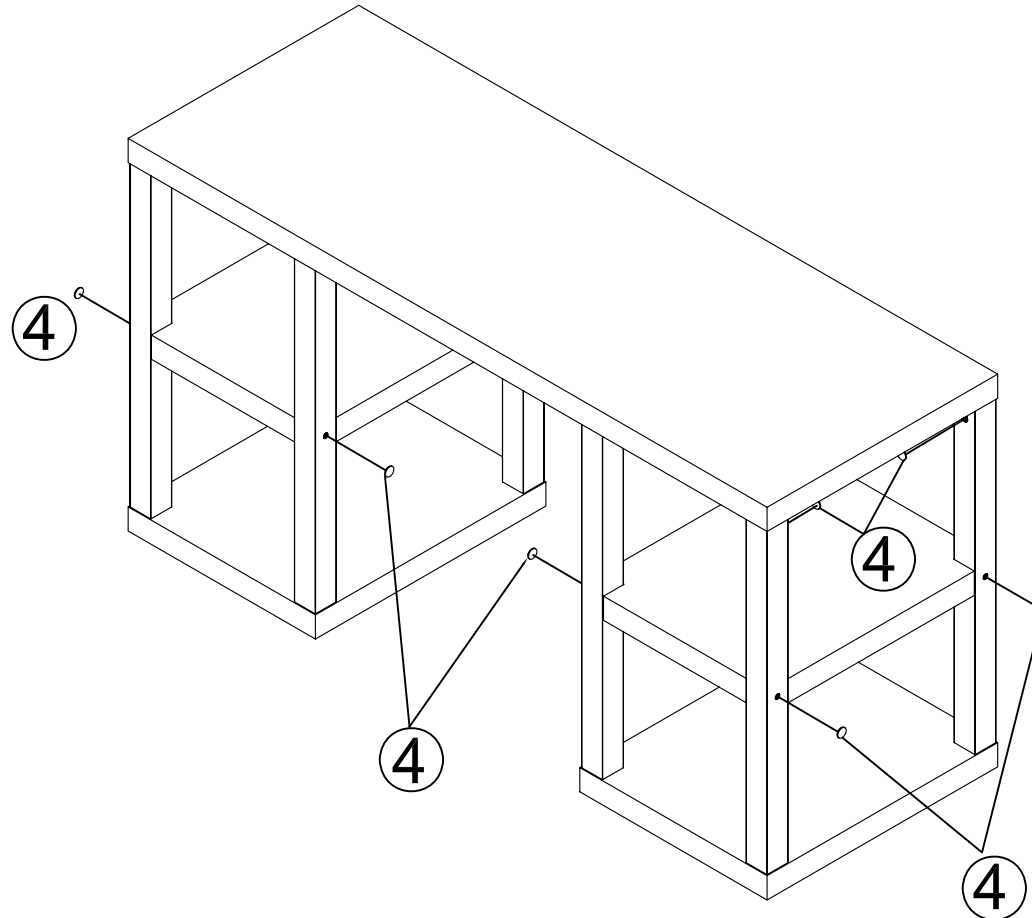
- Attach assembled unit to top (A) with 8 cam locks (2) as shown.



4 - Screw bottom (B) to the assembled unit with 8 screws (3) as shown.



5 - Stick 16 covers (4) to the holes of assembled unit as shown.



Call our toll free number for any assistance you should need or visit our website:

1-800-489-3351

www.altrafurniture.com

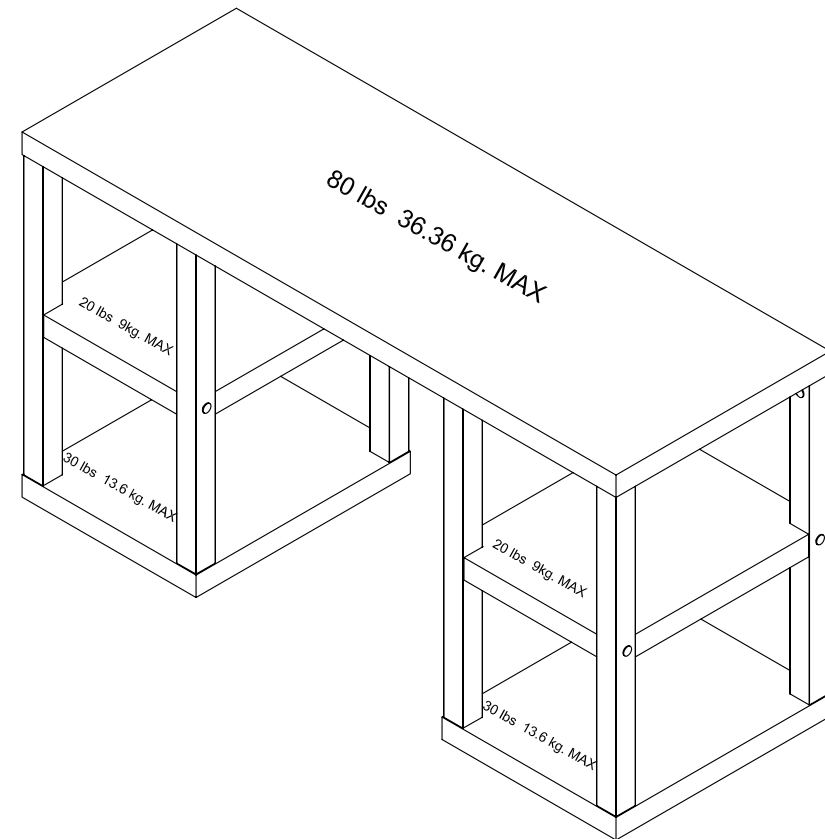
Clean the product with your favorite furniture polish and a soft cloth. **DO NOT USE** harsh chemicals or abrasive cleaners.

Move your new furniture carefully with two people. Lift and carry the unit. Never push or drag the unit. **DO not** allow children to climb or play on the unit. Failure to comply could result in serious injury.

This unit has been designed to support the maximum loads shown. Exceeding these load limits could cause unit sagging, instability, product collapse and/or serious injury.

Additional parts are available for a nominal fee.

WEIGHT LIMITS:



Enjoy Your Furniture