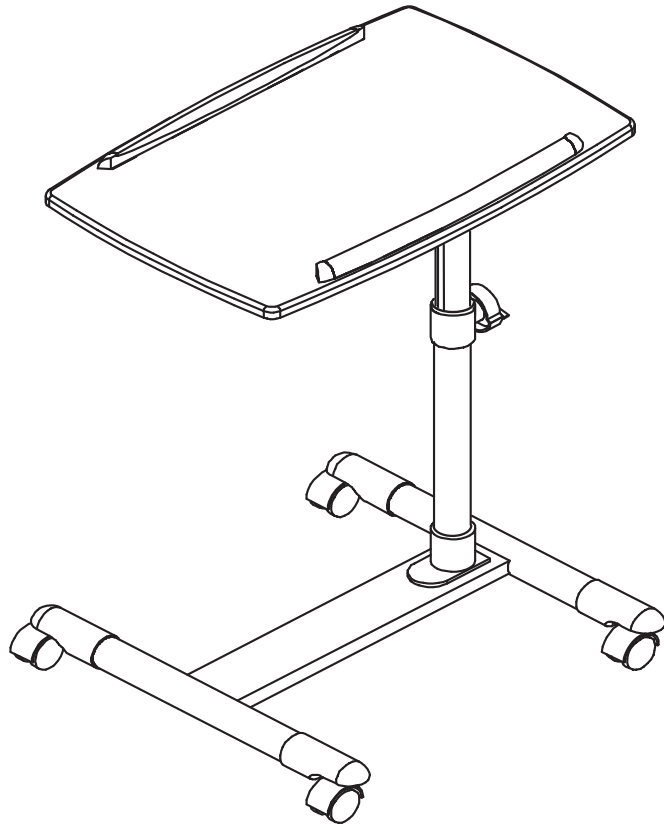


9225196



DO NOT RETURN PRODUCT TO THE STORE
Individual stores do not stock parts.

Lot Number: _____

Date of Purchase: __/__/__

If a part is missing or damaged, call our toll-free customer service line.
We will gladly ship your replacement parts FREE of charge.

Need Parts or Assistance?

1-800-489-3351

or access our website

WWW.altrafurniture.com

For prompt, reliable service please have your assembly manual ready.

Recommended # of people needed for assembly: 1
(however it is always better to have an extra hand.)
Estimated assembly time is 30 minutes.

THIS INSTRUCTION BOOKLET CONTAINS
IMPORTANT SAFETY INFORMATION. PLEASE
READ AND KEEP FOR FUTURE REFERENCE.

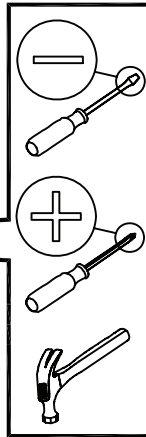
Spanish translations are located in the center of this manual.
Se localizan las traducciones españolas en el centro de este manual.

Thank you for purchasing from ALTRAFURNITURE.

Visit www.altrafurniture.com to view the limited warranty valid in the U.S. and Canada.

BEFORE STARTING

- Read each step carefully before starting. It is very important that each step of instruction is performed in the correct order. If these steps are not followed in sequence, assembly difficulties will occur.
- Make sure all parts are included. Most board parts are labeled or stamped on the raw edge.
- Work in spacious area, preferably on a carpet, near the place the unit will be used.
- Have the following tools close at hand.
- Do not use power tools to assemble your furniture. Power tools may strip or damage the parts.



HELPFUL HINTS

- Visit our website for assembly video clips.
- Call our toll free number if you need assistance.
- Compression dowels are tapped in with a hammer.
- Back panels provide stability and support. Use all the nails provided. Units without the back panel installed may collapse.
- When tapping nails into a board, be sure there are equal margins on all sides to square the unit.
- Move your new furniture carefully, with two people lift and carry the unit to its new location.
- Never push, drag or scoot your furniture (especially on carpet).
- Your Altrafurniture furniture can be disassembled and reassembled to move.
- Additional parts are available for a nominal fee.

For help with assembly, identifying parts, product information or to order parts, please contact us:



Call us at: 1-800-489-3351

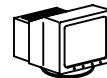
Monday - Friday
7:00 am - 8:00 pm
Saturday
9:00 am - 5:00 pm
(Central Time)



FAX:

1-636-745-1005

available 24 hours a day,
7 days a week



Visit our website:

www.altrafurniture.com

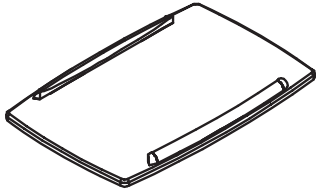


Write to:

AMERIWOOD
P.O. Box 346
Wright City, MO 63390 USA
Attention: Service Dept.

PARTS

A



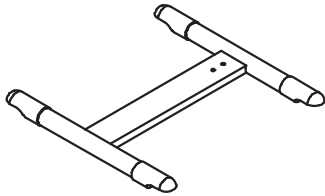
T9225196010
Top panel

B



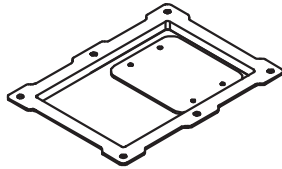
T9225196020
Height adjust bracket

C



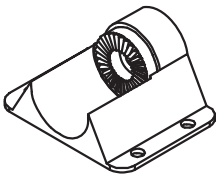
T9225196030
Base

D



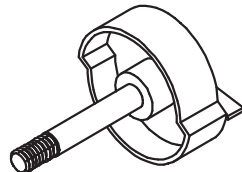
T9225196040
Bracket tray

E

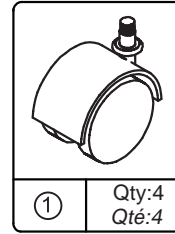


T9225196050
Angle adjust base

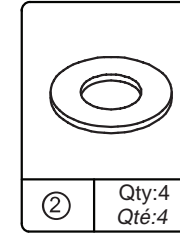
F



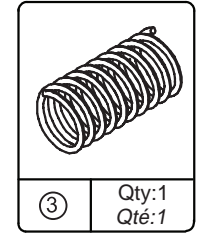
T9225196060
Knob



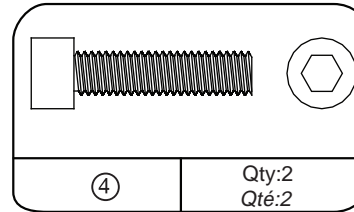
TAA0102
Caster



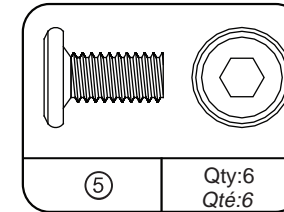
TAA0201
Washer



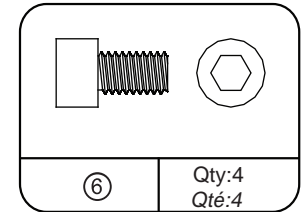
TAA0301
Spring



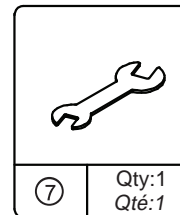
TAA0401
M8x30 Bolt



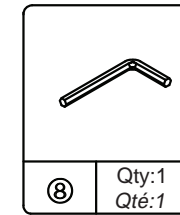
TAA0402
M6x12 Bolt



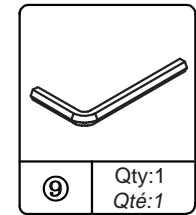
TAA0403
M5x10 Bolt



TAA0501
Wrench

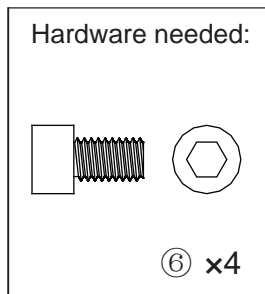
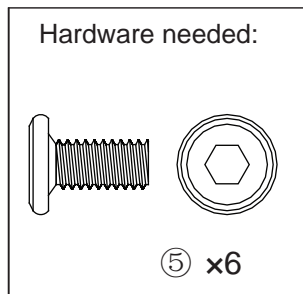
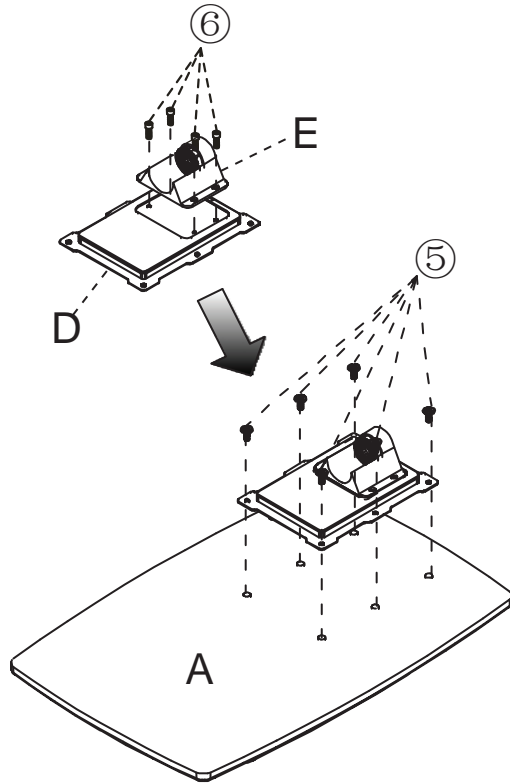


TAA0502
S4 Allen wrench

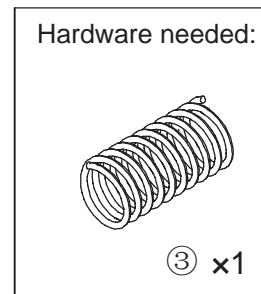
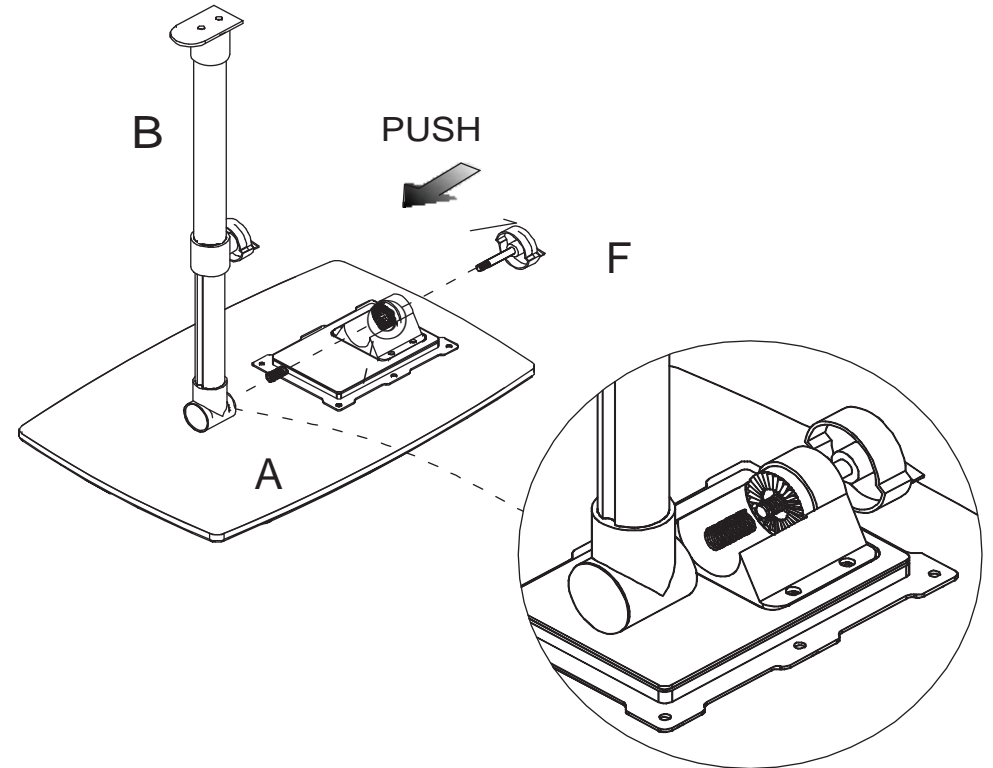


TAA0503
S6 Allen wrench

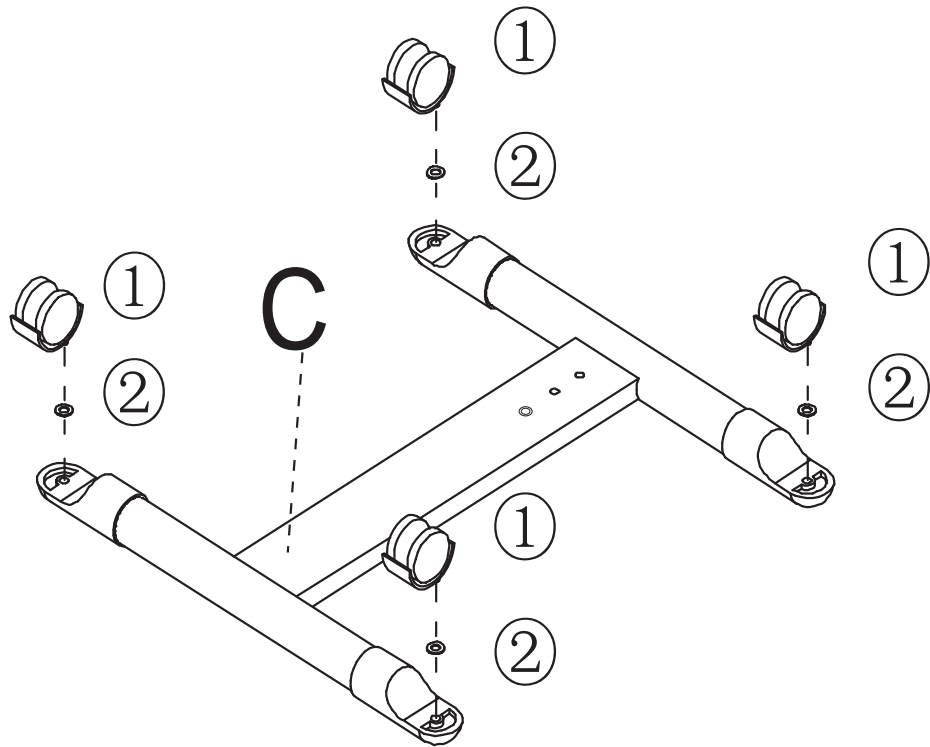
- 1** - Attach Angle adjust base (E) to Bracket tray (D) with four bolts (6) as shown.
 - Attach the whole to Top panel (A) with six bolts (5).



- 2** - Fix the Height adjust bracket (B) and Spring (3) and Knob (F) as shown.



3 - Attach four Casters (①) and four Washers (②) to the Base (C).



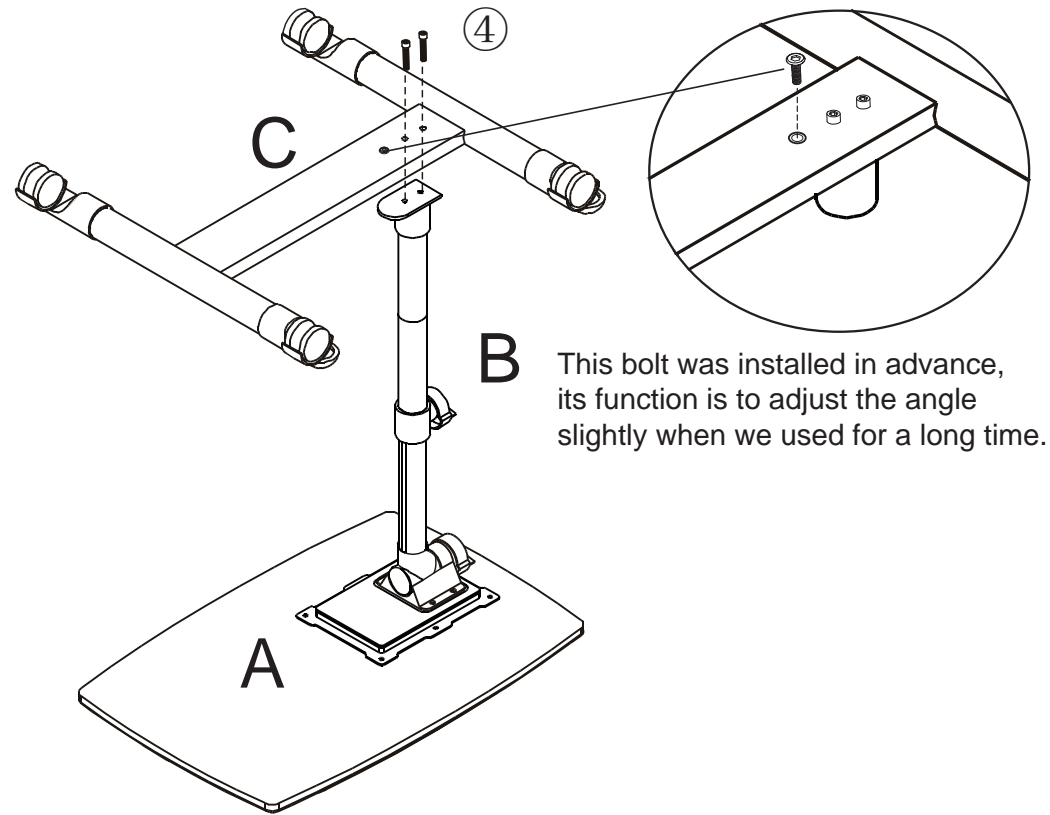
Hardware needed:

① x4 ② x4

Tools needed:

⑦ x1

4 - Attach the Base (C) to Height adjust bracket (B) with two bolts (④) as shown.



B This bolt was installed in advance, its function is to adjust the angle slightly when we used for a long time.

Hardware needed:

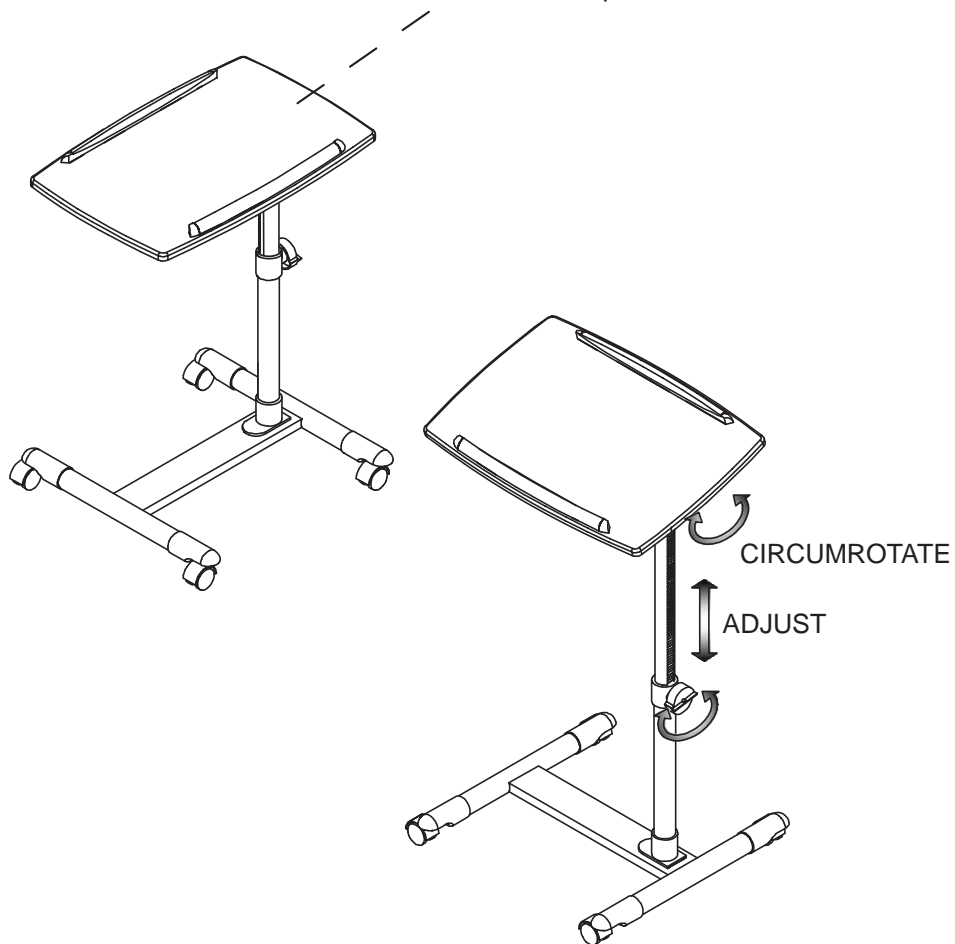
④ x2

Tools needed:

⑨ x1

5 - Using state as shown.

Uncover the protect film before use.



Call our toll free number for any assistance you should need or visit our website:

1-800-489-3351

www.altrafurniture.com

Clean the product with your favorite furniture polish and a soft cloth. DO NOT USE harsh chemicals or abrasive cleaners.

Move your new furniture carefully with two people. Lift and carry the unit. Never push or drag the unit.

Do not allow children to climb or play on the unit. Failure to comply could result in severe injury.

This unit has been designed to support the maximum loads shown. Exceeding these load limits could cause unit sagging, instability, product collapse and/or serious injury.

Additional parts are available for a nominal fee.

Weight Limits:

