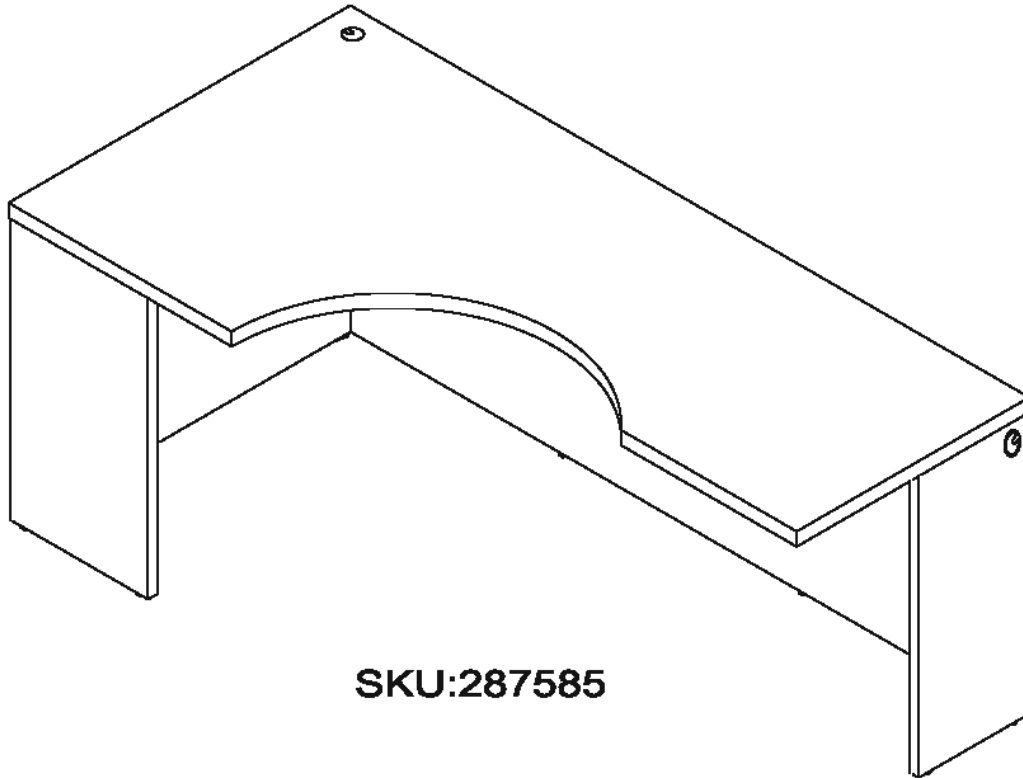




9133096



SKU:287585

**THIS INSTRUCTION BOOKLET CONTAINS
IMPORTANT SAFETY INFORMATION. PLEASE
READ AND KEEP FOR FUTURE REFERENCE.**





DO NOT RETURN PRODUCT TO THE STORE
Individual stores do not stock parts.

Lot Number: _____

Date of Purchase: ___ / ___ / ___

If a part is missing or damaged, call our toll-free customer service line. We will gladly ship your replacement parts FREE of charge.

Need Parts or Assistance?

1-800-489-3351
or access our website
@ www.altrafurniture.com

For prompt, reliable service please have your assembly manual ready.

B34913309600

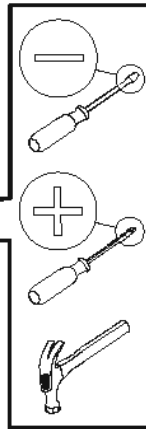
July 19, 2008

Thank you for purchasing from ALTRA FURNITURE.

Visit www.altrafurniture.com to view the limited warranty valid in the U.S. and Canada.

BEFORE STARTING

- Read each step carefully before starting. It is very important that each step of instruction is performed in the correct order. If these steps are not followed in sequence, assembly difficulties will occur.
- Make sure all parts are included. Most board parts are labeled or stamped on the raw edge.
- Work in spacious area, preferably on a carpet, near the place the unit will be used.
- Have the following tools close at hand.
- Do not use power tools to assemble your furniture. Power tools may strip or damage the parts.



HELPFUL HINTS

- Visit our website for assembly video clips.
- Call our toll free number if you need assistance.
- Compression dowels are tapped in with a hammer.
- Back panels provide stability and support. Use all the nails provided. Units without the back panel installed may collapse.
- When tapping nails into a board, be sure there are equal margins on all side to square the unit.
- Move your new furniture carefully, with two people lift and carry the unit to it's new location.
- Never push, drag or scoot your furniture (especially on carpet).
- Your ALTRA furniture can be disassembled and reassembled to move
- Additional parts are available for a nominal fee.

For help with assembly, identifying parts, product information or to order parts, please contact us:



Call us at: 1-800-489-3351

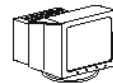
Monday-Friday
7:00 am - 8:00 pm
Saturday
9:00 am - 5:00 pm
(Central Time)



FAX:

1-636-745-1005

available 24 hours a day,
7 days a week



Visit our website:

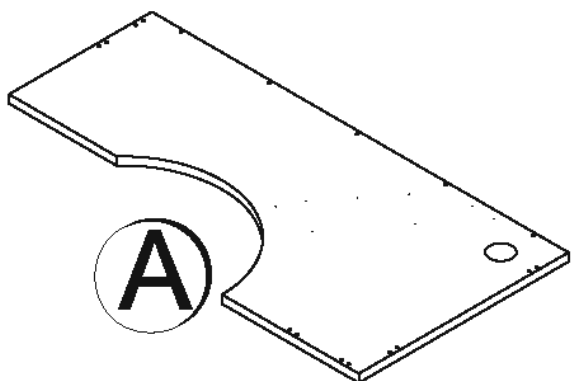
www.altrafurniture.com



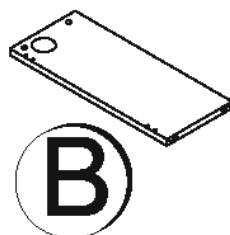
Write to:

ALTRA FURNITURE
P.O. Box 346
Wright city, MO 63390 USA
Attention: Service Dept.

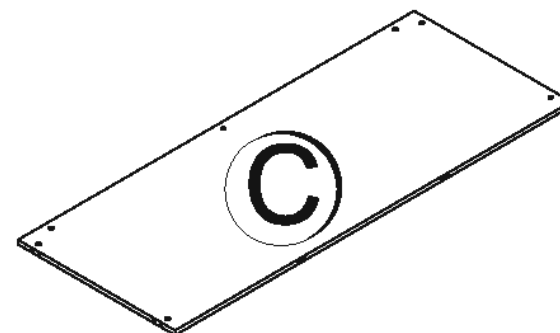




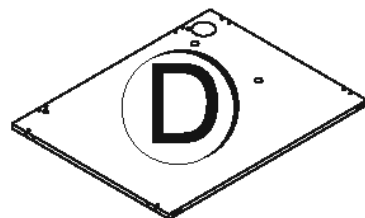
Top
Panel Superior
Dessus
T9133096010



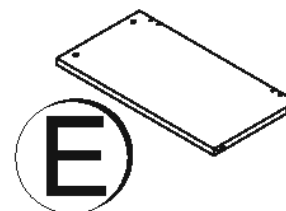
Right Side Panel
Panel Lateral Derecho
Panneau Droit
T9133096020



Back Panel
Panel Trasero
Panneau Arriere
T9133096030

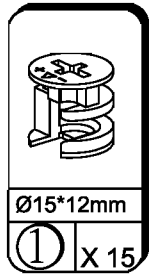


Left Side Panel
Panel Izquierda
Panneau Gauche
T9133096040

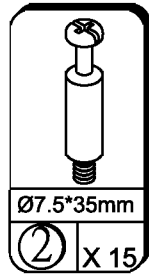


Left Side Panel
Panel Izquierdo
Panneaux Gauche
T9133096050

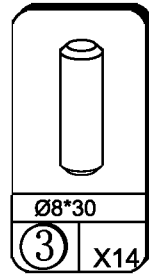




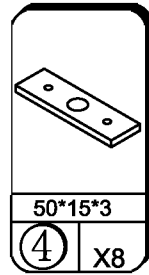
Cam Lock
Tornillo De Cerradura
Serrure De Came
THL0101



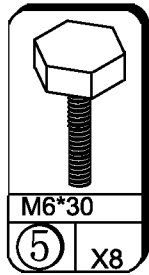
Cam Bolt
Tornillo De Rosca
Boulon De Came
THL0102



Wood Dowel
Clavija De Madera
Goujon En Bois
THL0201



Gasket
Tuercas
Gasket
THL0601



Bolt
Tornillo
Boulon
THL0701

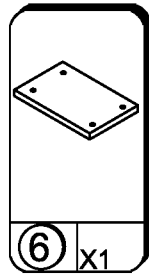
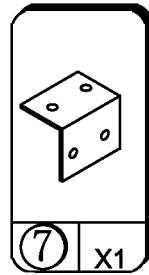
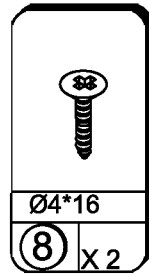


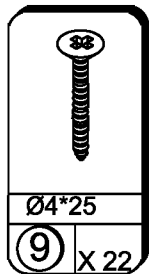
Plate
Placa
Plaque
THL0602



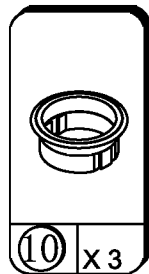
Angel Bracket
Escuadra
Équerre
THL0603



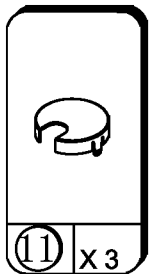
5/8" Flat Head Screw
Tornillo De Cabeza Plana 5/8"
Vis Tête Plate 5/8"
THL0304



1" Black Flat Head Screw
Negro Tornillos De Cabeza Plana 1"
Noir Vis Tête Plate 1"
THL0309

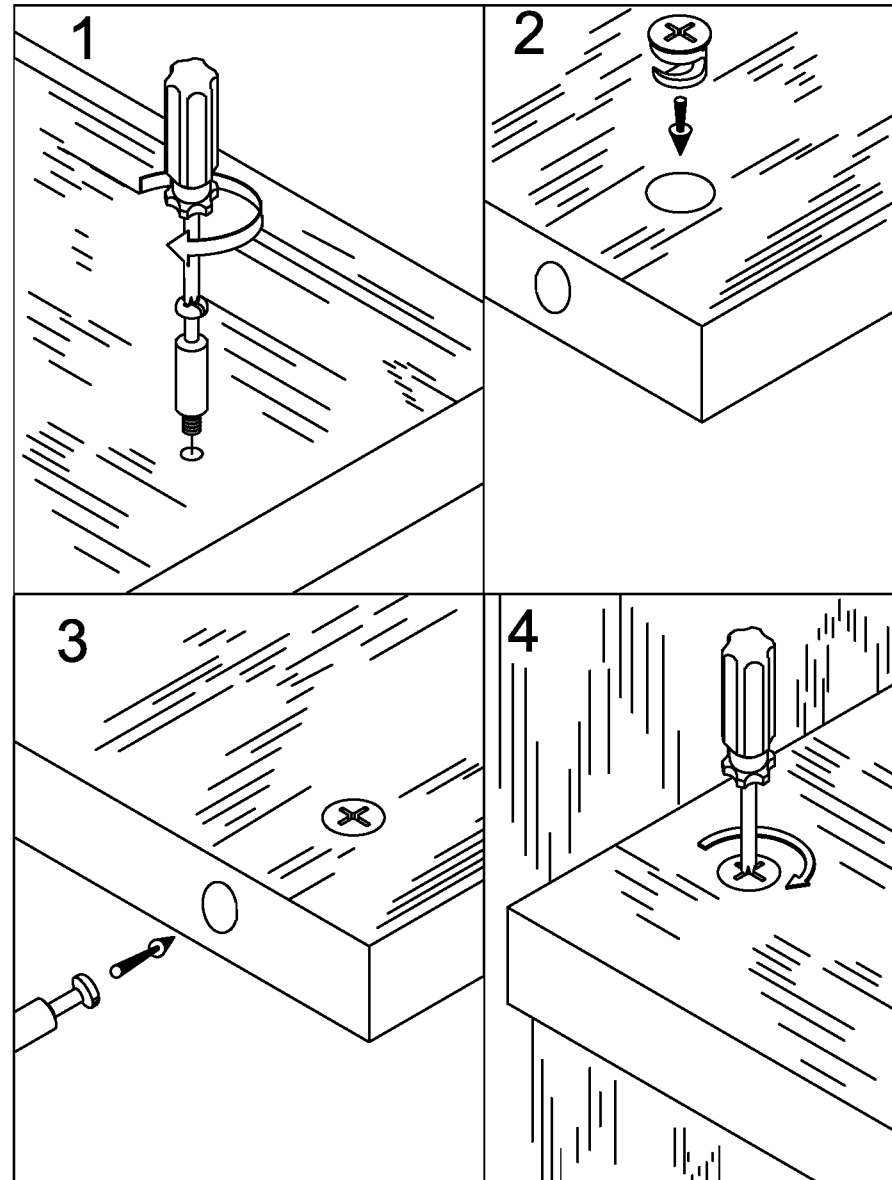


Grommet
Drenaje Timpánico
Oeillet
THL9902

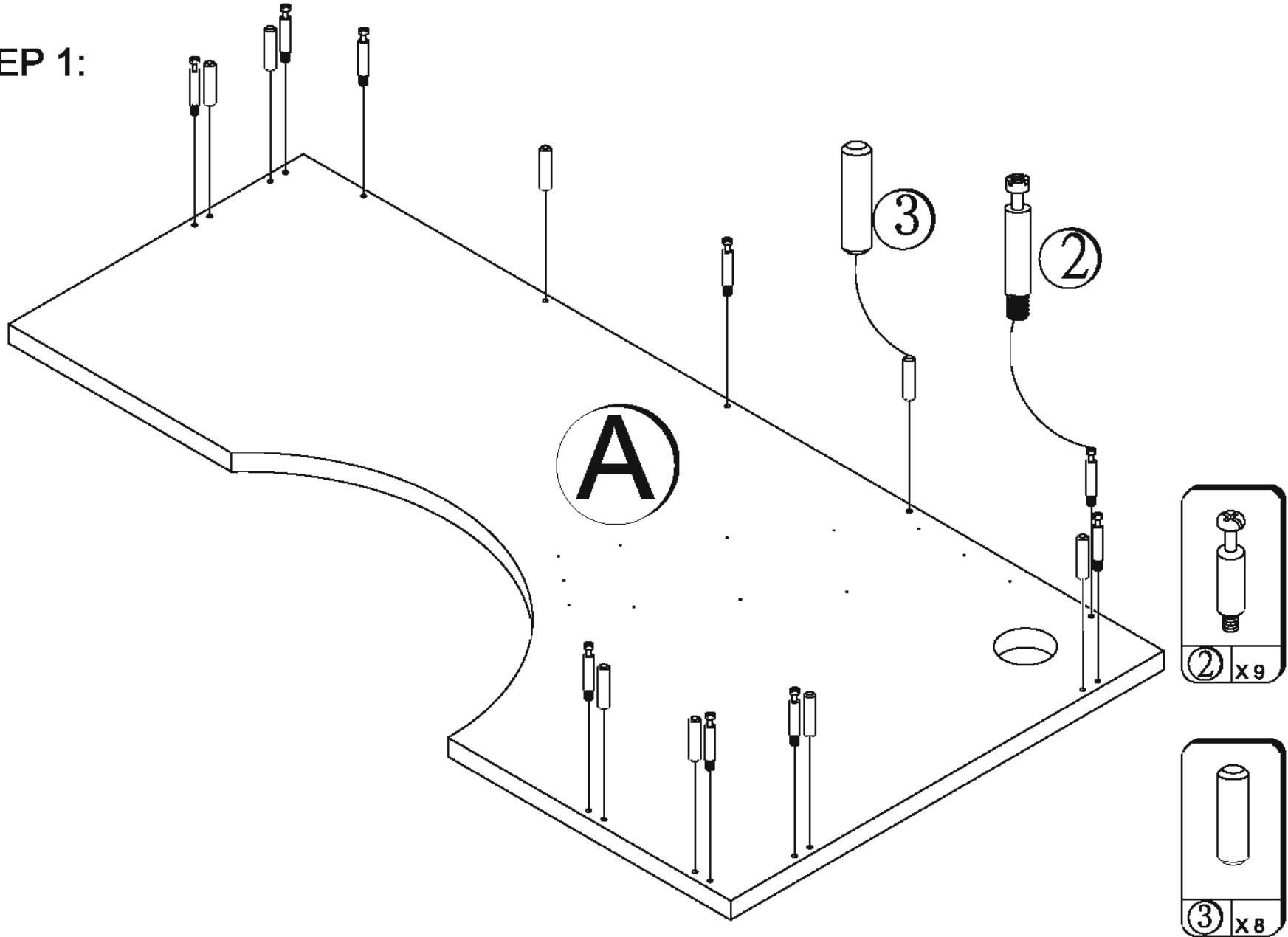


Cap
Cap
Cap
THL9903

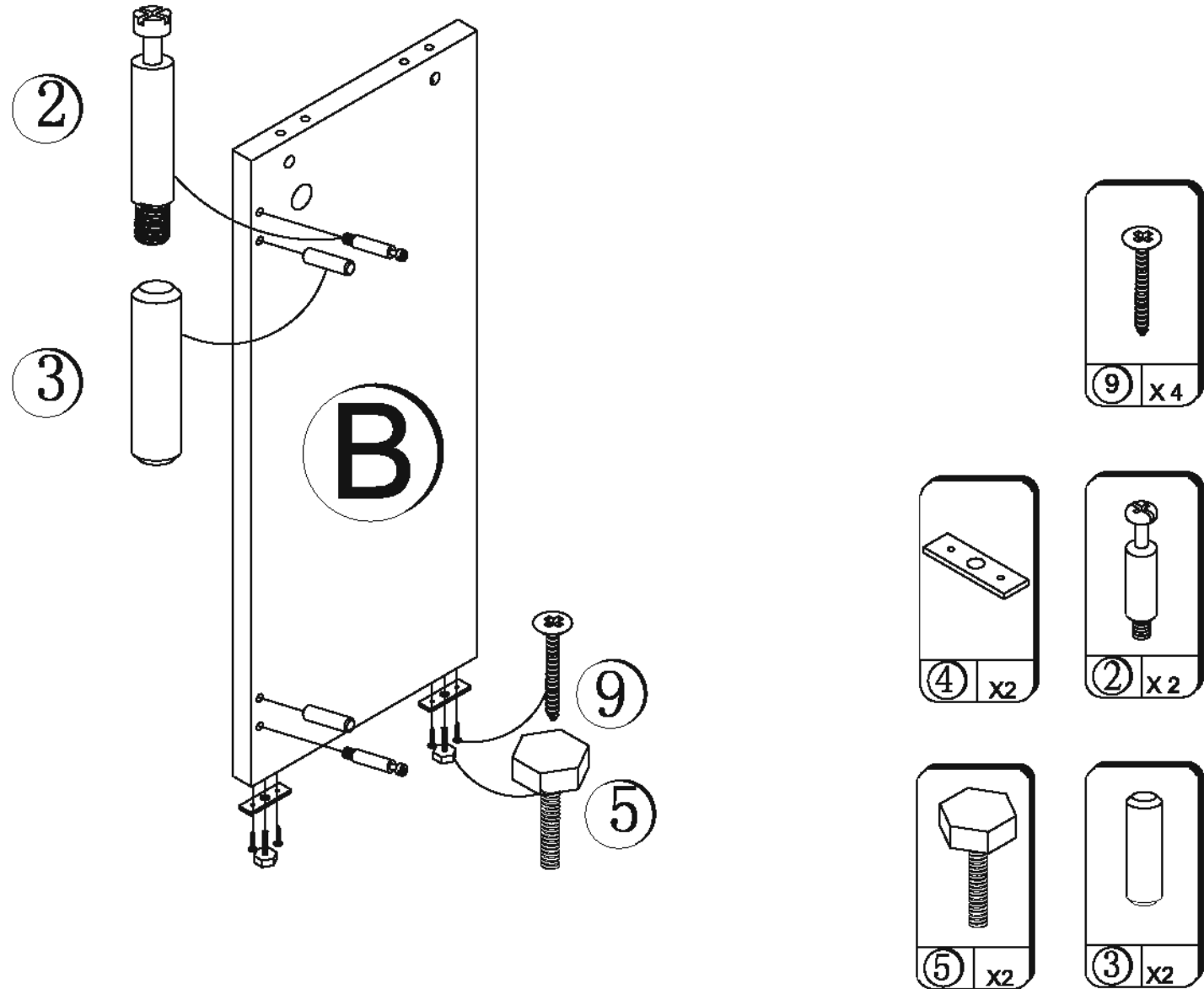
This illustration shows how the CAM fastening system works
Esta ilustración muestra el sistema de fijación de leva y como funciona
Cette illustration montre le système de fixation et son fonctionnement



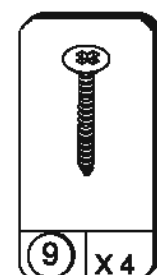
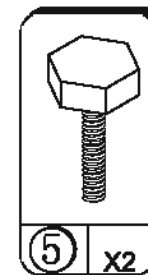
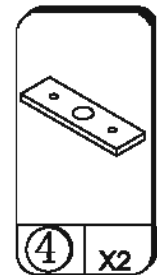
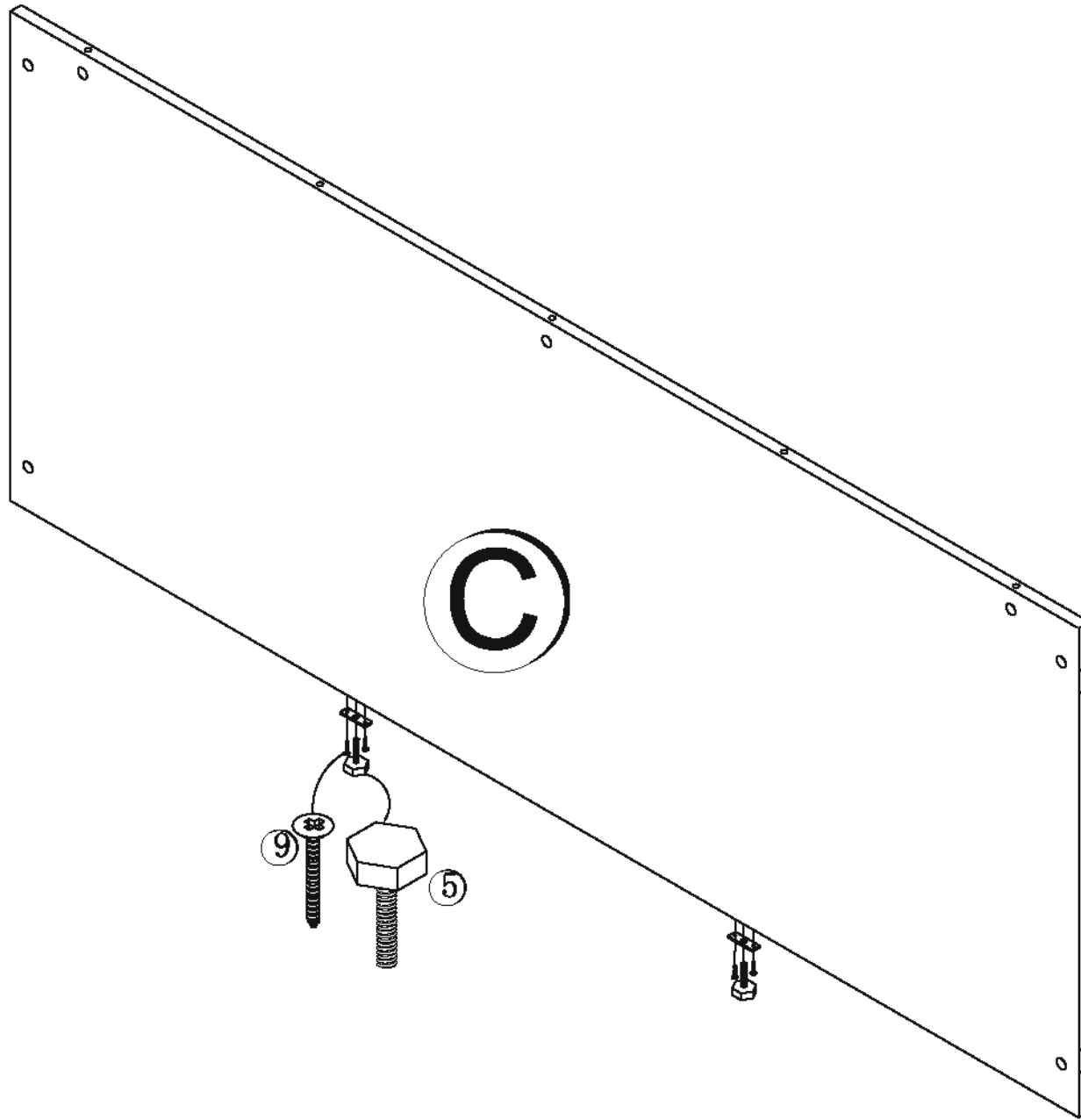
STEP 1:



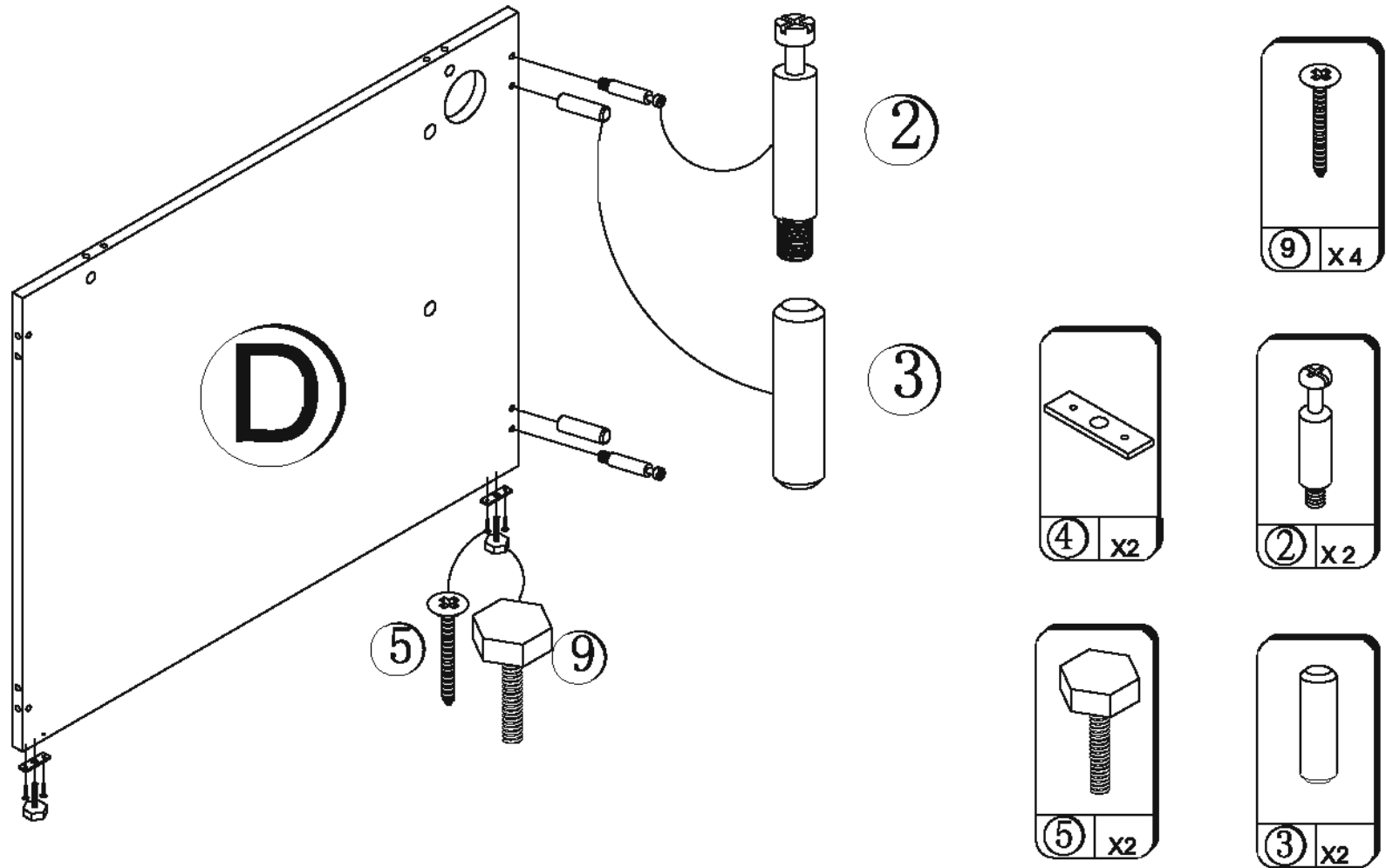
STEP 2:



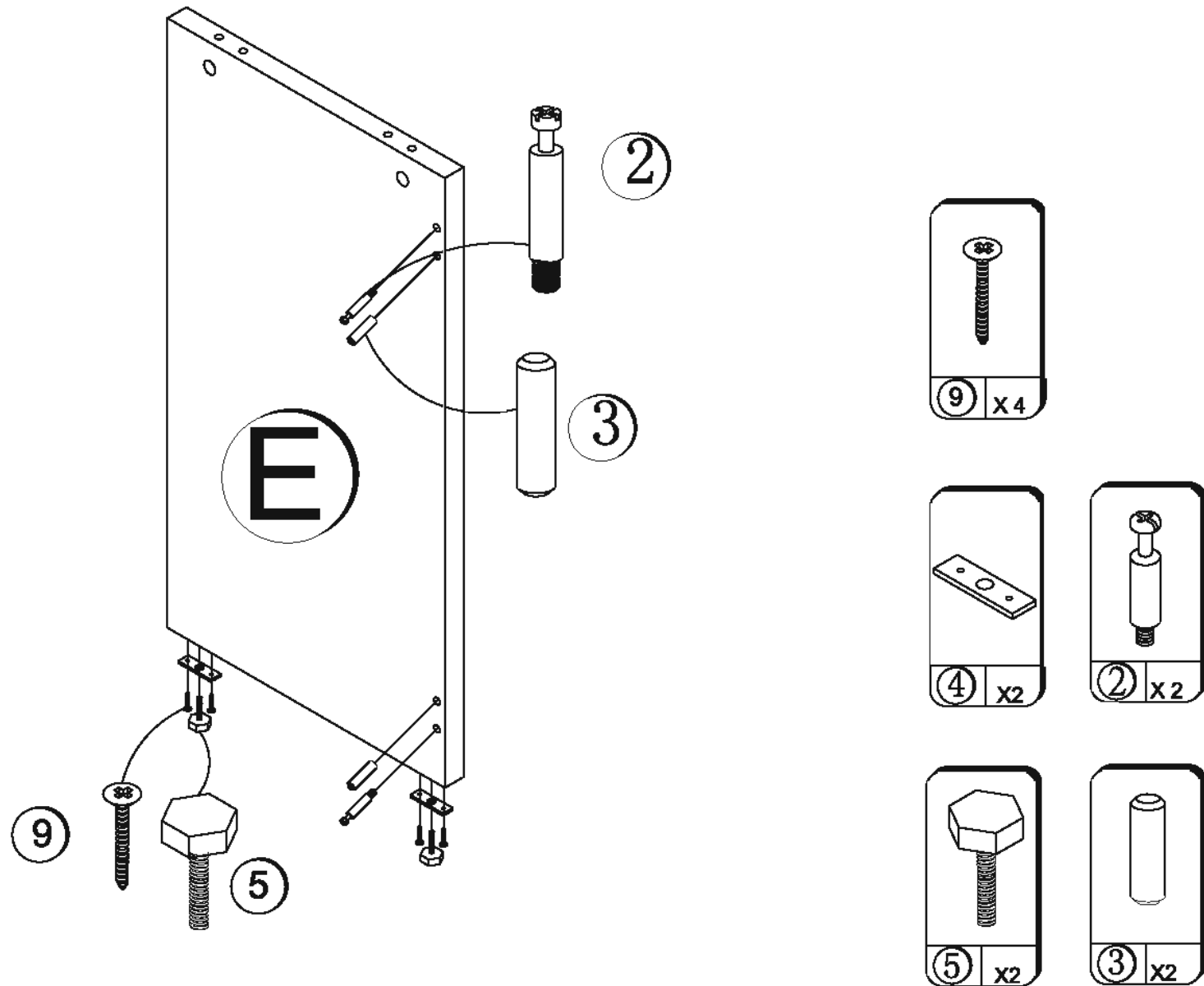
STEP 3:



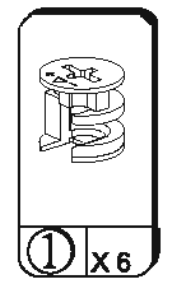
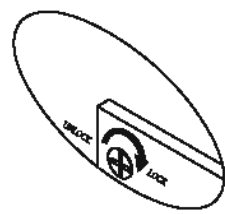
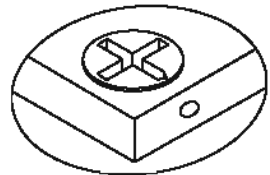
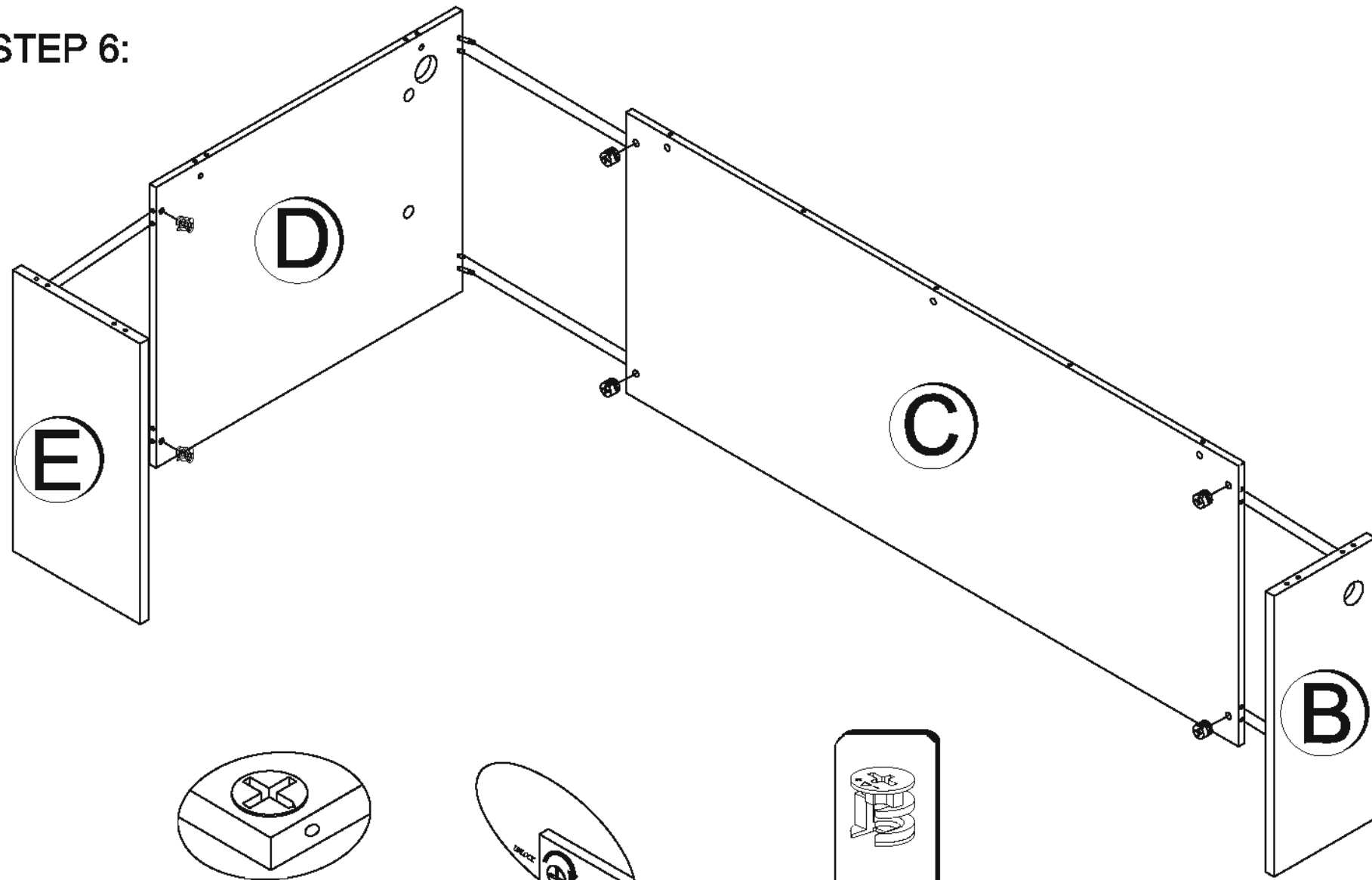
STEP 4:



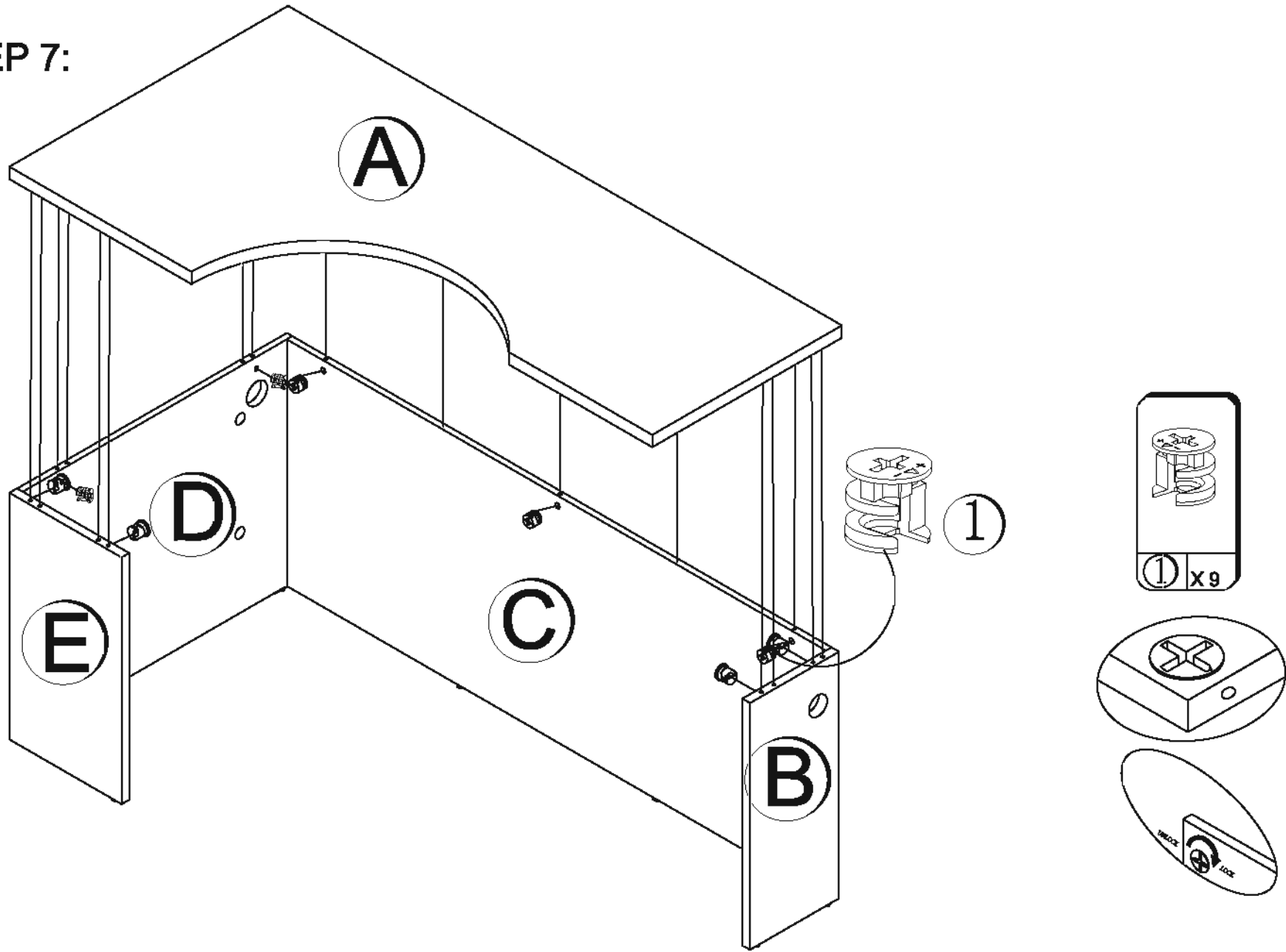
STEP 5:



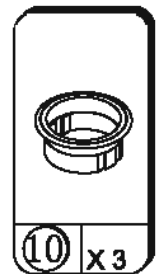
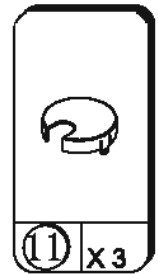
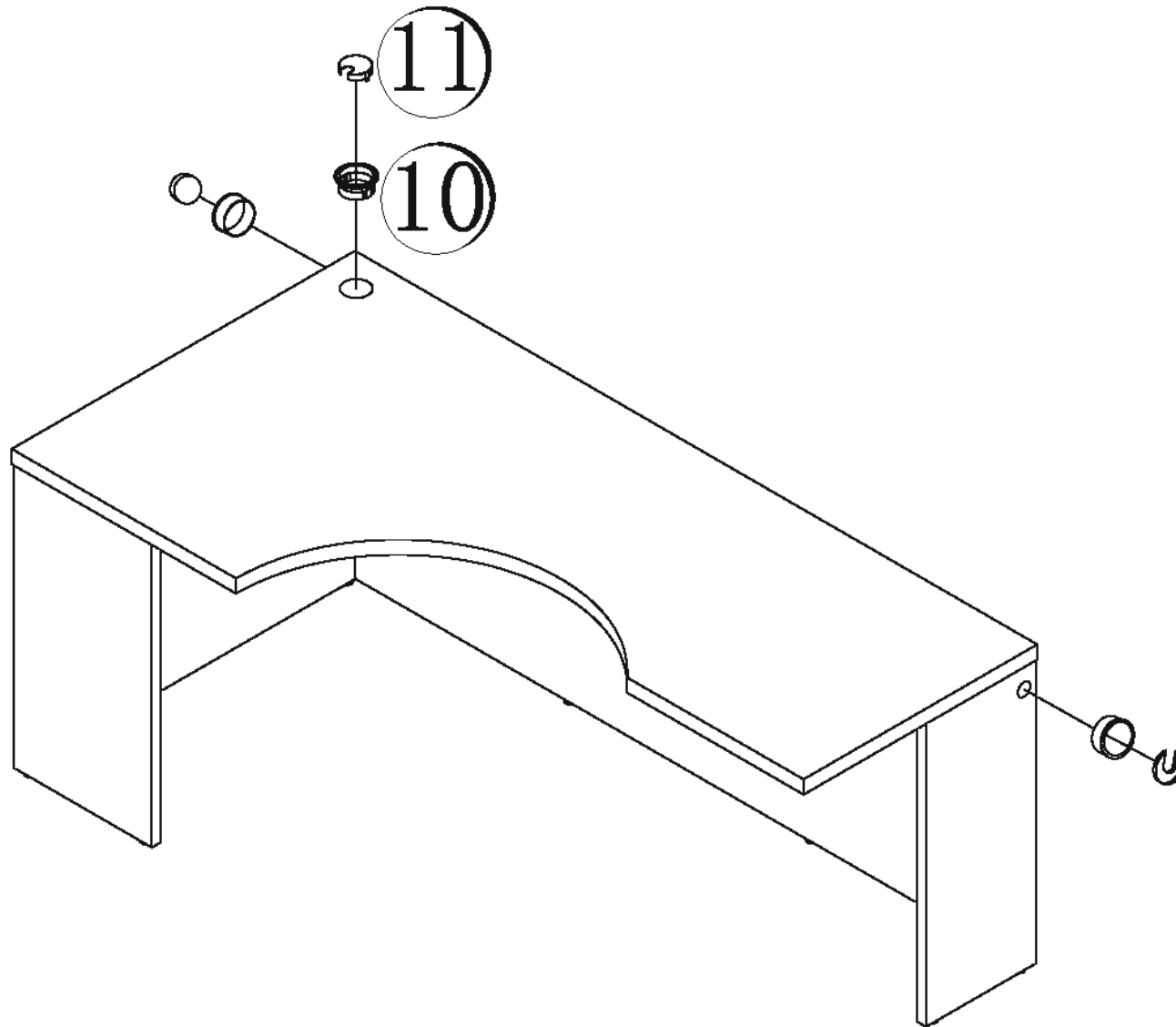
STEP 6:



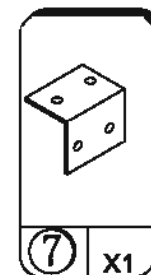
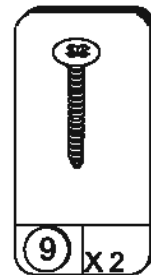
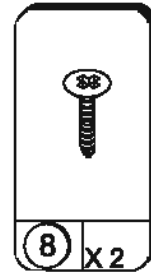
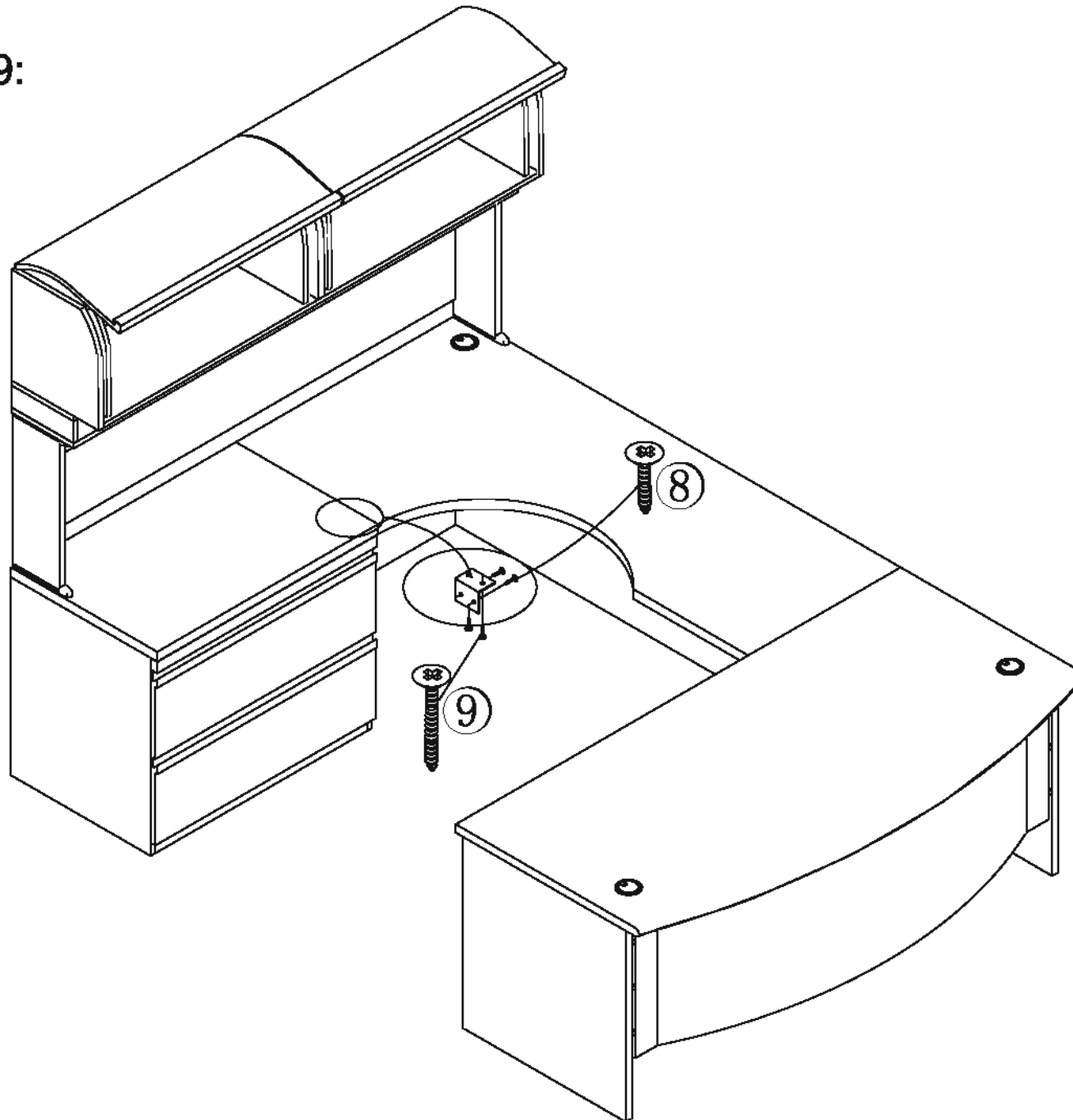
STEP 7:



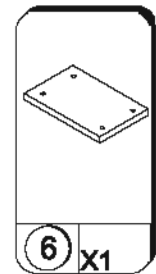
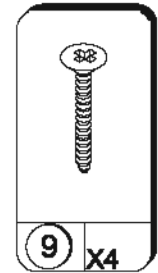
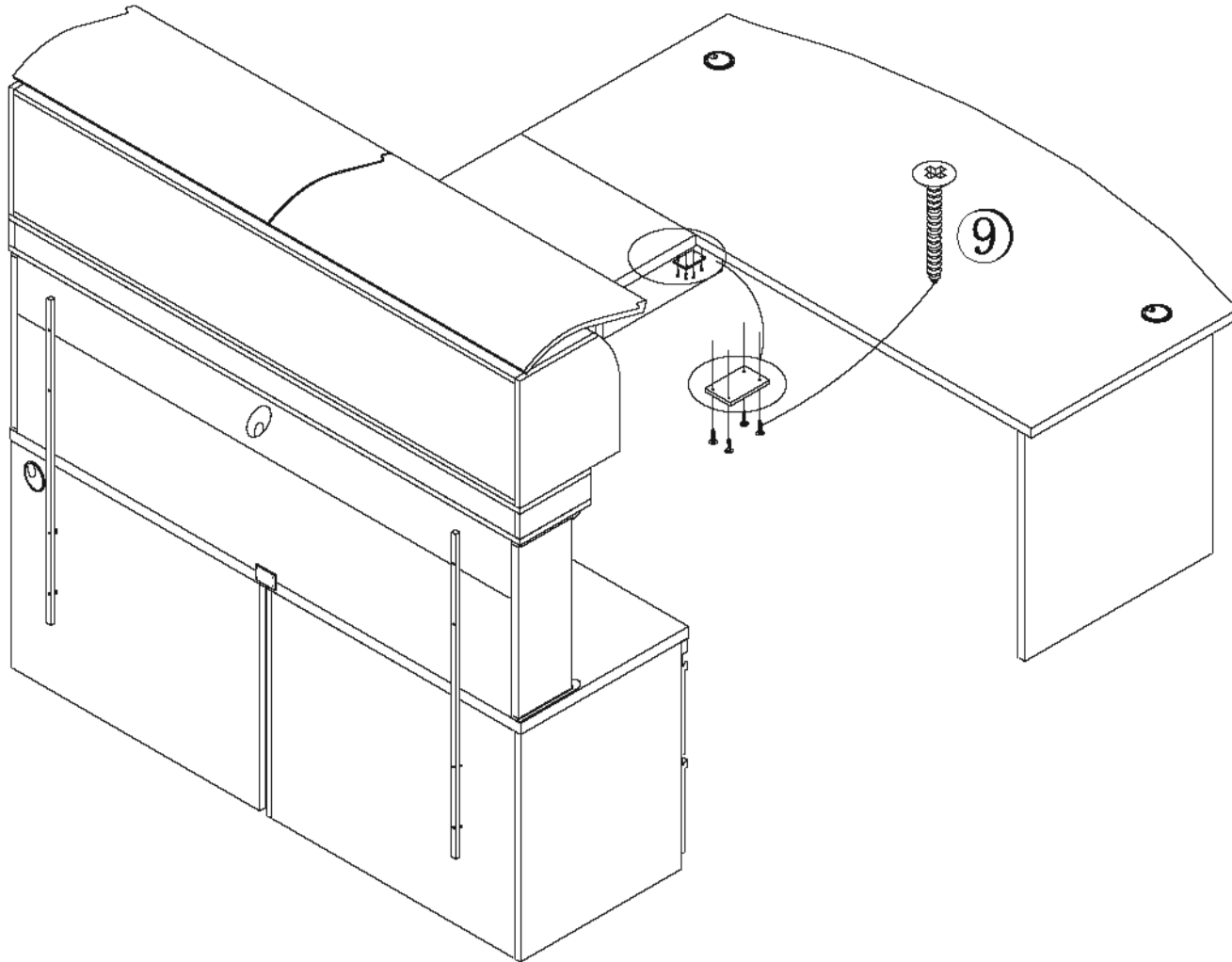
STEP 8:



STEP 9:



STEP 10:



This unit has been designed to support the maximum loads shown. Exceeding these load limits could cause sagging, instability, product collapse, and/or serious injury.

Esta unidad se ha diseñado para apoyar las cargas maximasdemostradas. Exceder estos limites de carga podia causar ceder, inestabilidad,derrumbamiento del producto, yo lesion seria.

Cette unite a ete concue pour soutenir les charges maximummontrees. Depasser ces limites de charge a pu causer le flechissement, instabilite, effondrement de produit, etou dommages serieux.

Maximum weights:

