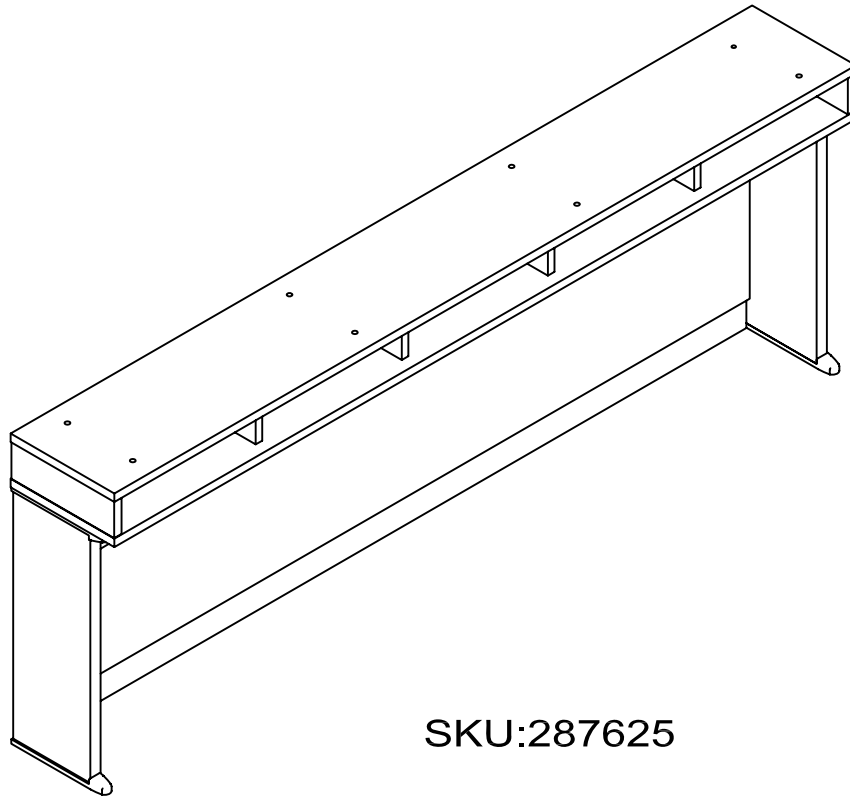




# 9900096



SKU:287625



**DO NOT RETURN PRODUCT TO THE STORE**  
Individual stores do not stock parts.

Lot Number: \_\_\_\_\_

Date of Purchase: \_\_\_/\_\_\_/\_\_\_

If a part is missing or damaged, call our toll-free customer service line. We will gladly ship your replacement parts FREE of charge.

Need Parts or Assistance?

1-800-489-3351  
or access our website

@ [www.altrafurniture.com](http://www.altrafurniture.com)

For prompt, reliable service please have your assembly manual ready.

THIS INSTRUCTION BOOKLET CONTAINS  
IMPORTANT SAFETY INFORMATION. PLEASE  
READ AND KEEP FOR FUTURE REFERENCE.

B34990009600

July 18, 2008



---

Thank you for purchasing from ALTRA FURNITURE.

Visit [www.altrafurniture.com](http://www.altrafurniture.com) to view the limited warranty valid in the U.S. and Canada.

## BEFORE STARTING

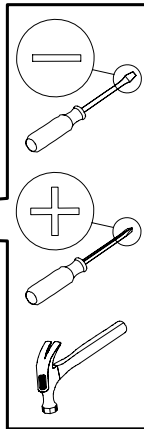
-Read each step carefully before starting. It is very important that each step of instruction is performed in the correct order. If these steps are not followed in sequence, assembly difficulties will occur.

-Make sure all parts are included. Most board parts are labeled or stamped on the raw edge.

-Work in spacious area, preferably on a carpet, near the place the unit will be used.

-Have the following tools close at hand.

-Do not use power tools to assemble your furniture. Power tools may strip or damage the parts.



## HELPFUL HINTS

-Visit our website for assembly video clips.

-Call our toll free number if you need assistance.

-Compression dowels are tapped in with a hammer.

-Back panels provide stability and support. Use all the nails provided. Units without the back panel installed may collapse.

-When tapping nails into a board, be sure there are equal margins on all side to square the unit.

-Move your new furniture carefully, with two people lift and carry the unit to it's new location.

-Never push, drag or scoot your furniture (especially on carpet).

-Your ALTRA furniture can be disassembled and reassembled to move

-Additional parts are available for a nominal fee.

---

For help with assembly, identifying parts, product information or to order parts, please contact us:



Call us at: 1-800-489-3351

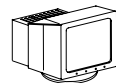
Monday-Friday  
7:00 am - 8:00 pm  
Saturday  
9:00 am - 5:00 pm  
(Central Time)



FAX:

1-636-745-1005

available 24 hours a day,  
7 days a week



Visit our website:

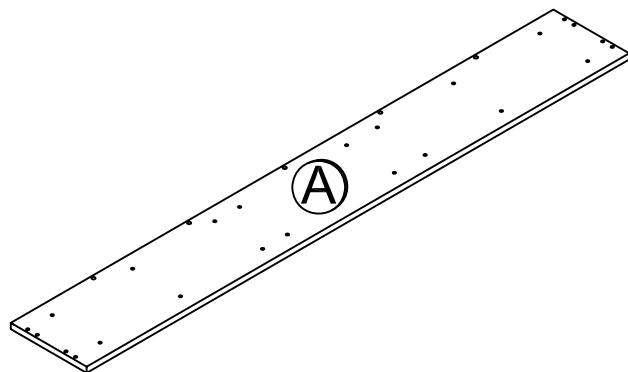
[www.altrafurniture.com](http://www.altrafurniture.com)



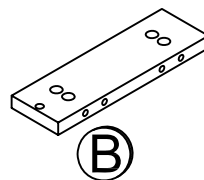
Write to:

ALTRA FURNITURE  
P.O. Box 346  
Wright city, MO 63390 USA  
Attention: Service Dept.

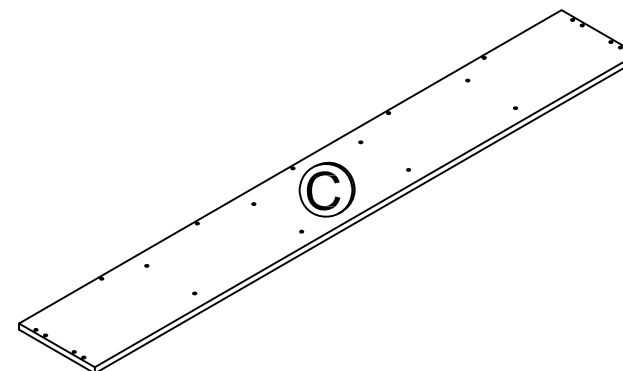




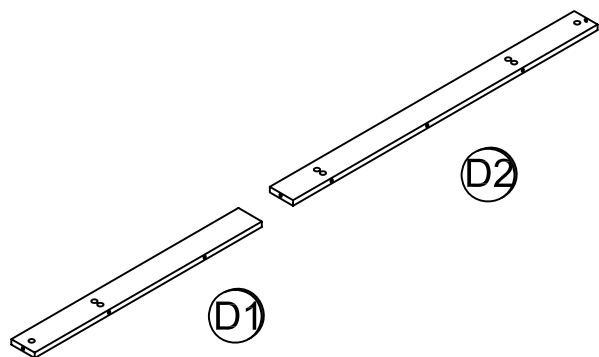
Top  
Panel Superior  
Dessus  
T9900096010



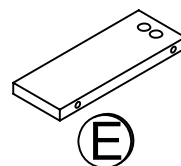
Side Panel (2)  
Tabla Lateral (2)  
Panneau Latéral (2)  
T9900096020



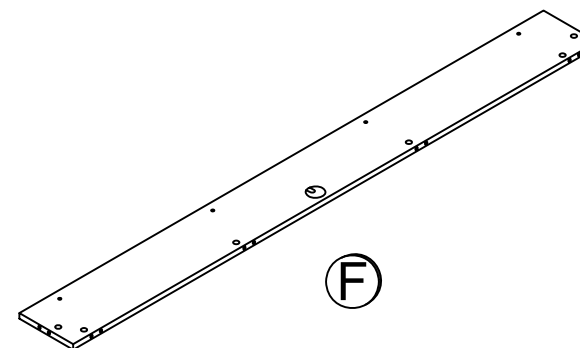
Bottom Panel  
Panel Base  
Panneau Inférieur  
T9900096030



Upper Back Panel  
Panel Trasero Superior  
Panneau Arrière Supérieure  
T9900096040

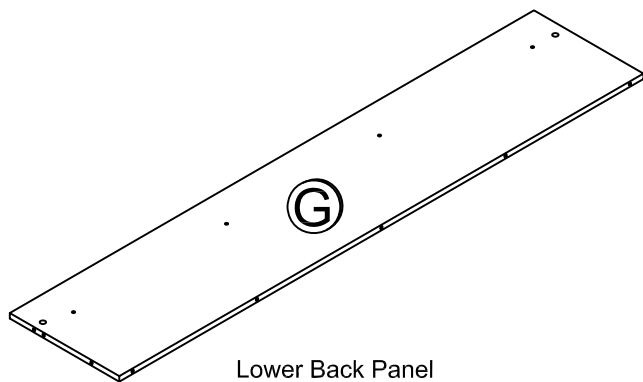


Fixed Shelf (4)  
Repisa Fija (4)  
Tablette Fixe (4)  
T9900096050

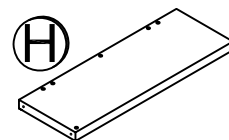


Middle Back Panel  
Medio Del Panel Posterior  
Milieu Panneau Arrière  
T9900096060

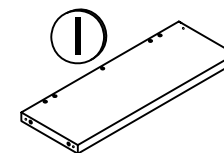




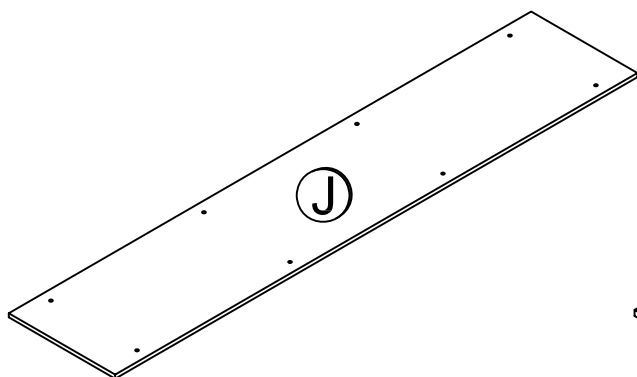
Lower Back Panel  
Panel Trasero Inferior  
Panneau Arrière Inférieur  
T9900096070



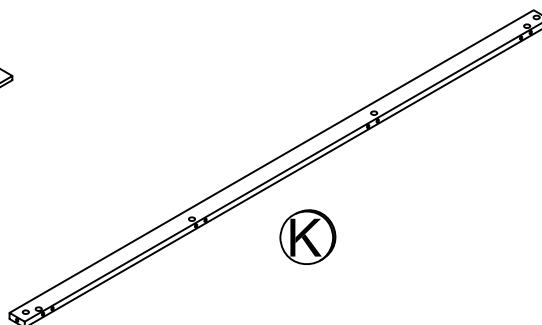
Left Side Panel  
Panel Izquierda  
Panneau Gauche  
T9900096080



Right Side Panel  
Panel Lateral Derecho  
Panneau Droit  
T9900096090

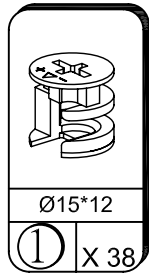


Screen  
Pantalla  
écran  
T9900096100

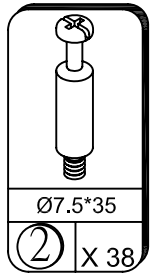


Bar  
Bar  
Bar  
T9900096110

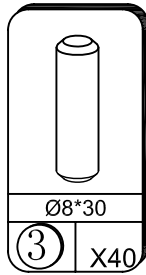




Cam Lock  
Tornillo De Cerradura  
Serrure De Came  
THL0101



Cam Bolt  
Tornillo De Rosca  
Boulon De Came  
THL0102



Wood Dowel  
Clavija De Madera  
Goujon En Bois  
THL0201

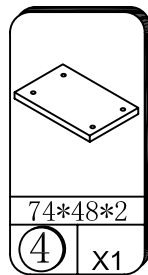
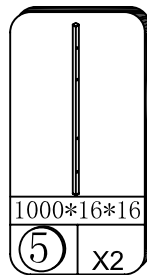
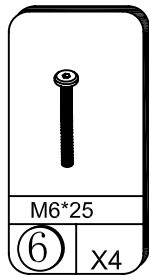


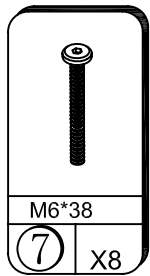
Plate  
Placa  
Plaqué  
THL0602



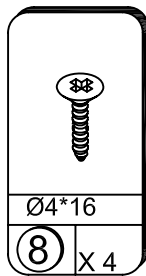
Support tube  
Tubo de apoyo  
Tube de soutien  
THL1701



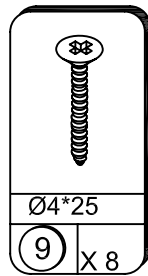
M6\*1" Bolt  
Tornillo M6\*1"  
Boulon M6\*1"  
THL0402



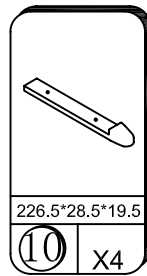
M6\*1-1/2" bolt  
Tornillo M6\*1-1/2"  
Boulon M6\*1-1/2"  
THL0403



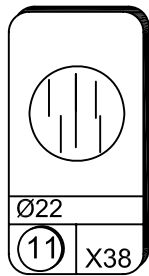
5/8" Flat Head Screw  
Tornillo De Cabeza Plana 5/8"  
Vis Tête Plate 5/8"  
THL0304



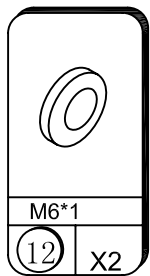
1" Flat Head Screw  
Tornillo De Cabeza Plana 1"  
Vis Tête Plate 1"  
THL0301



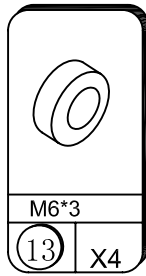
ABS Foot  
ABS Pie  
ABS Pied  
THL0703



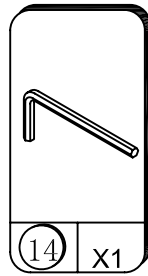
Cam Cover  
Cam Cubrir  
Cam Couvrir  
THL0902



Washer  
Arandela  
Rondelle  
THL0604

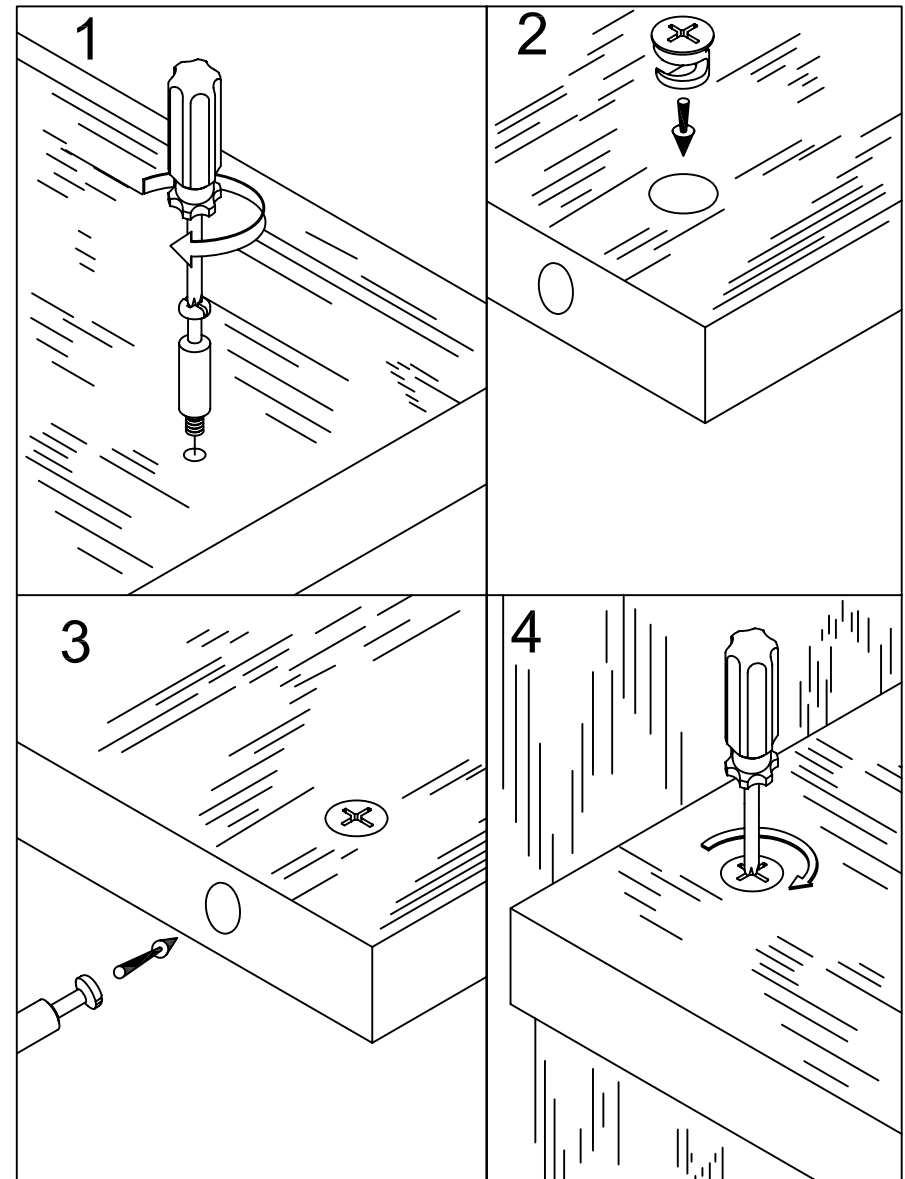


Washer  
Arandela  
Rondelle  
THL0605

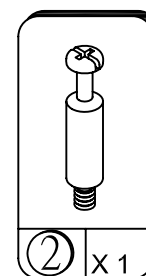
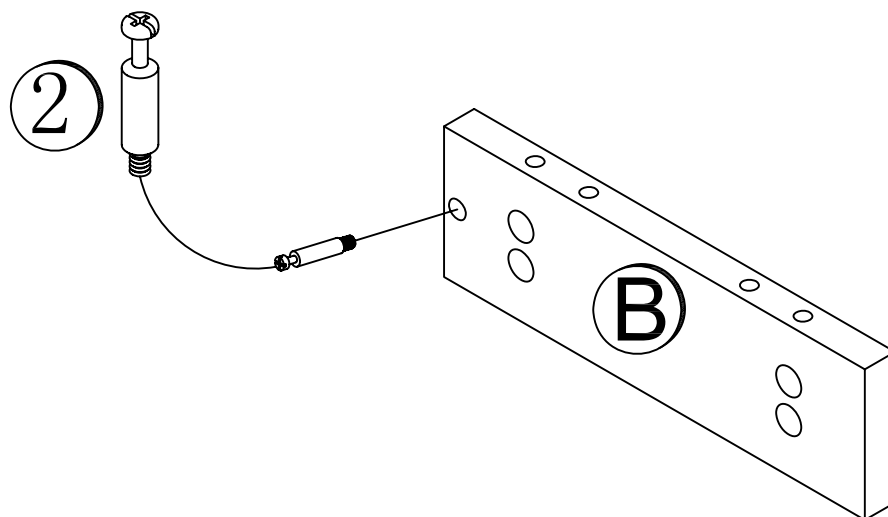


S6 Hex Key  
Llave En L S6  
Clé Hexagonale S6  
THL1501

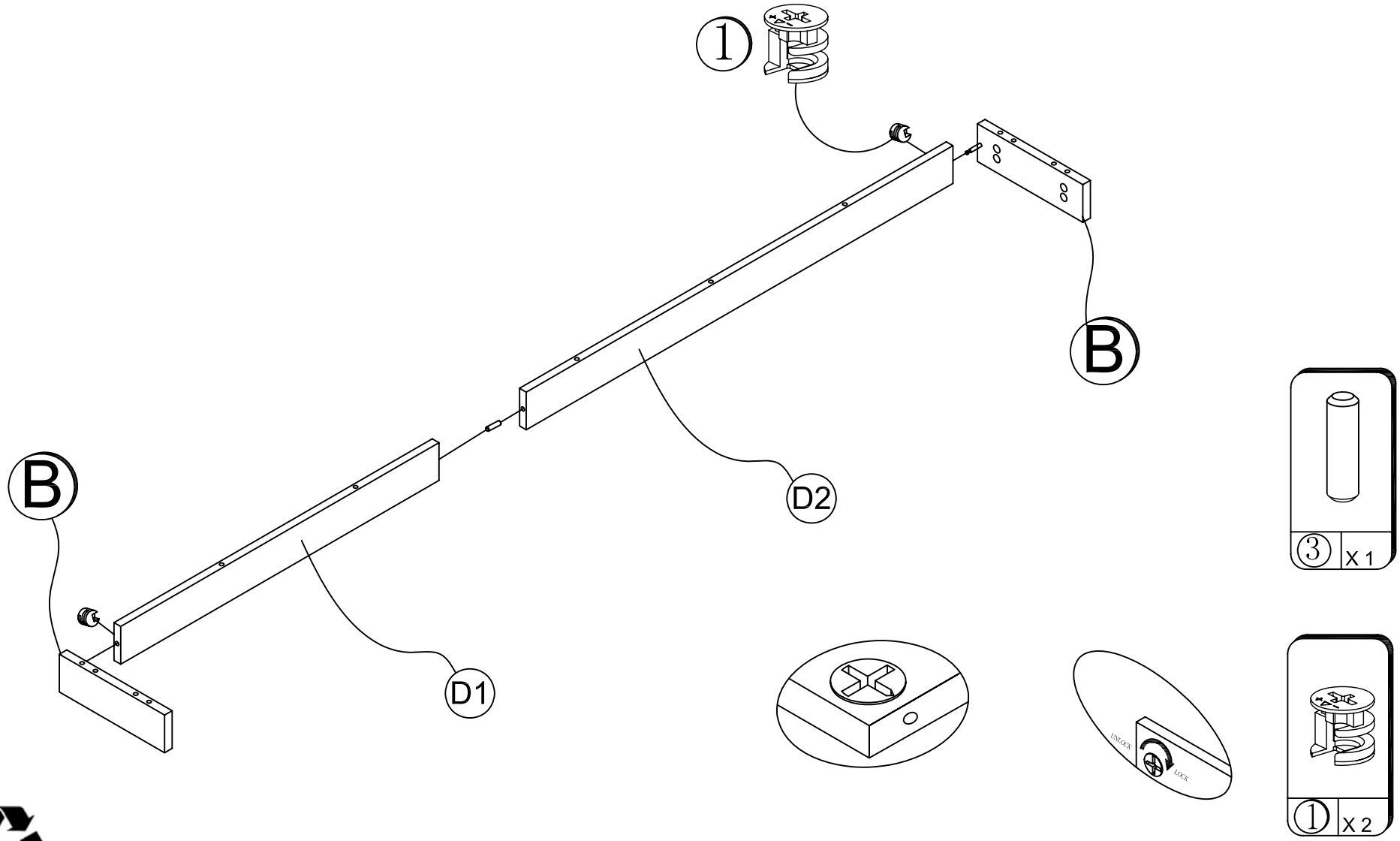
This illustration shows how the CAM fastening system works  
Esta ilustración muestra el sistema de fijación de leva y como funciona  
Cette illustration montre le système de fixation et son fonctionnement



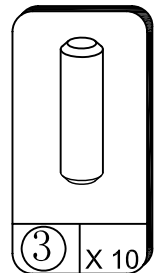
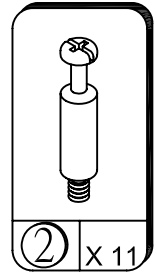
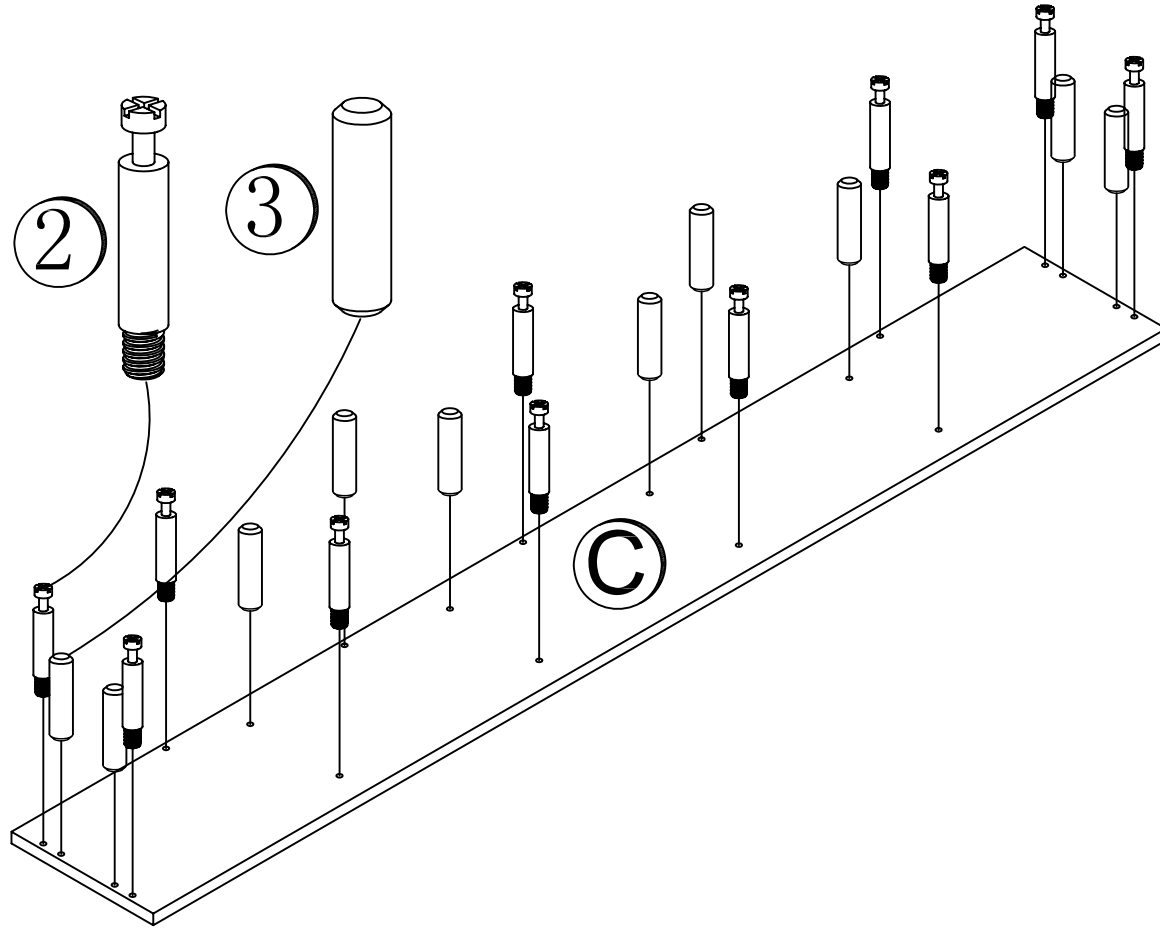
STEP 1:  
x2



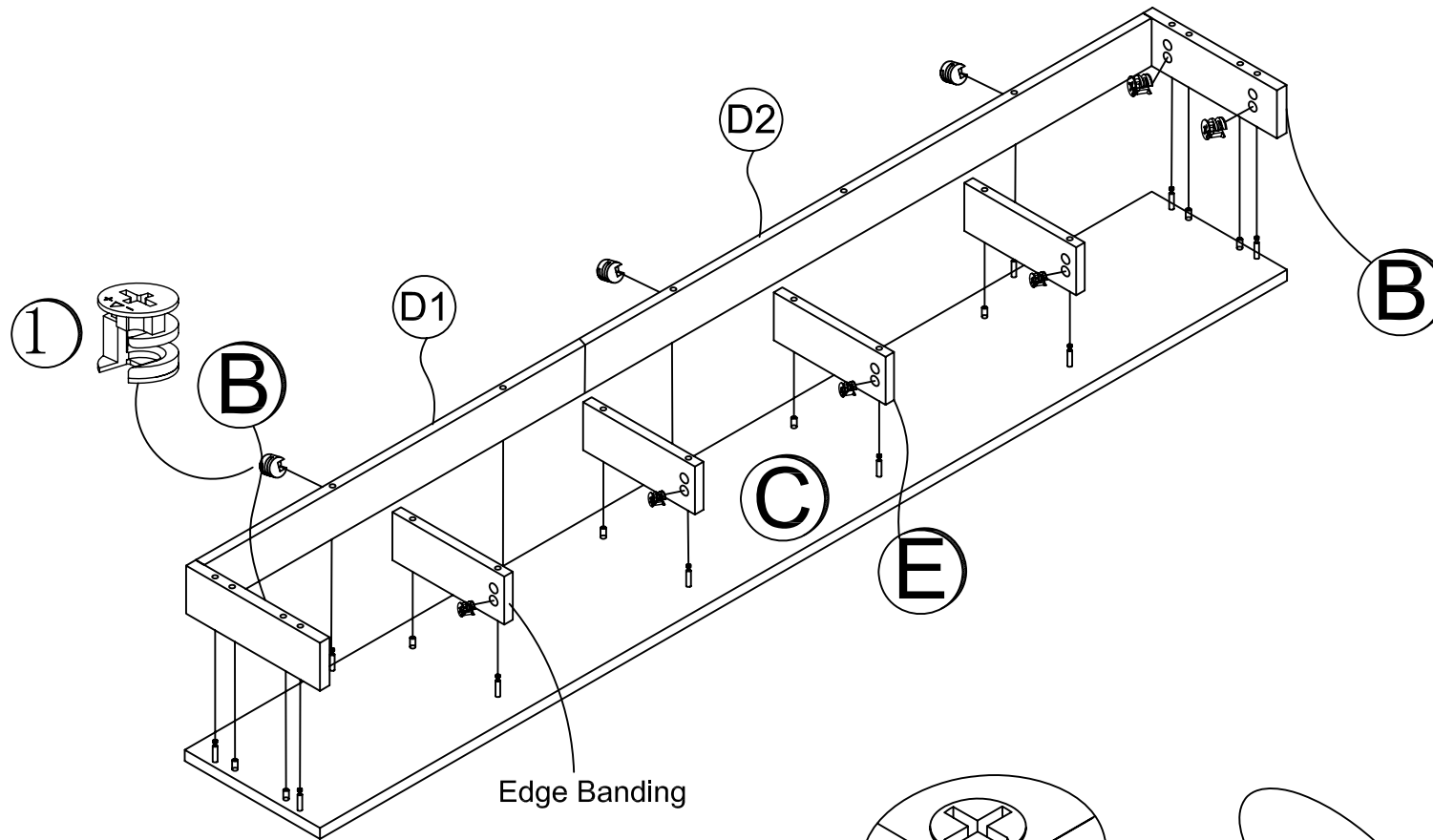
# STEP 2:



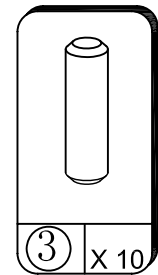
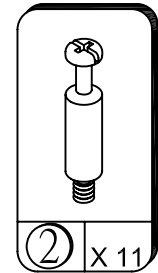
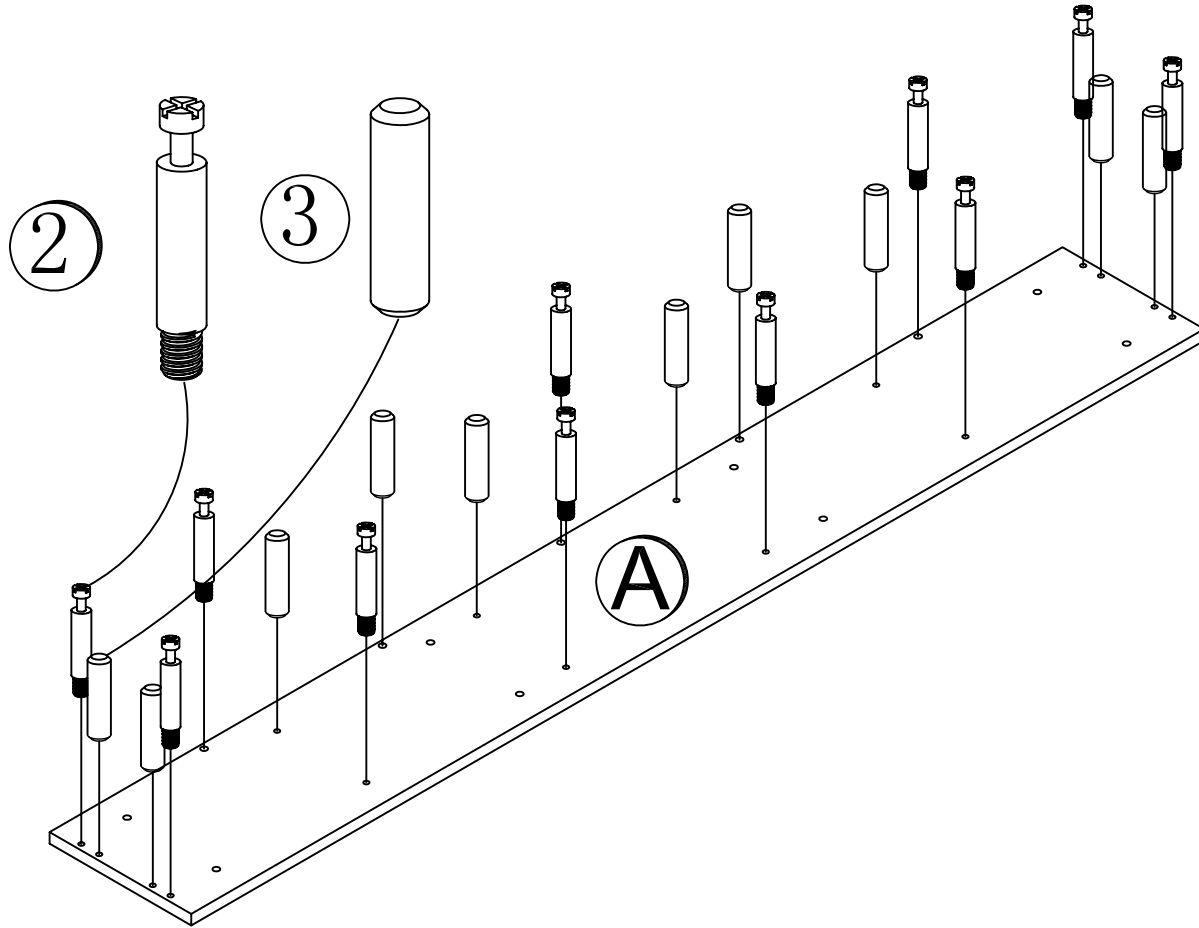
STEP 3:



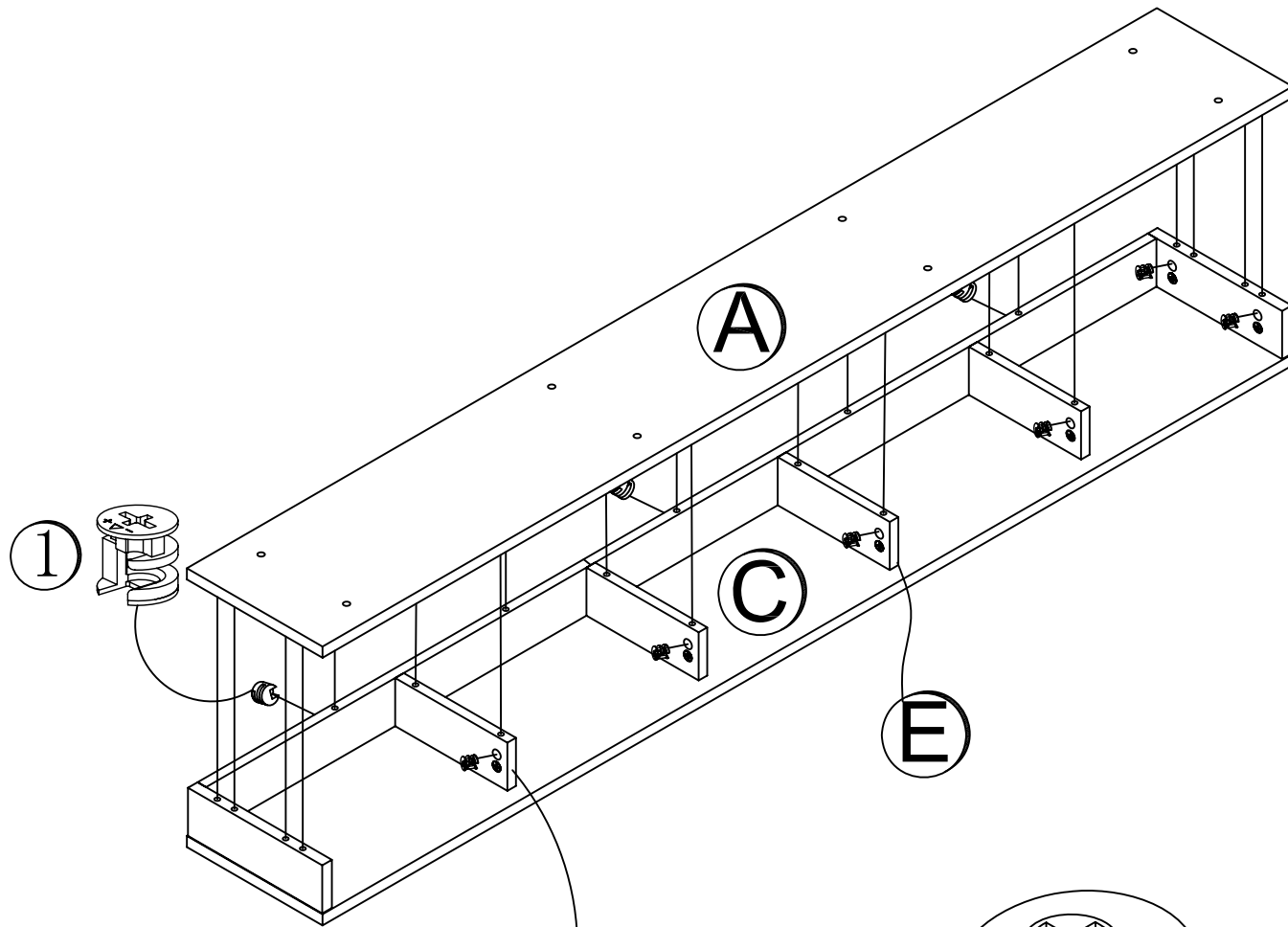
# STEP4:



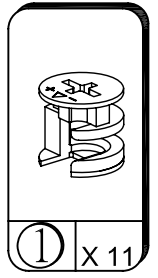
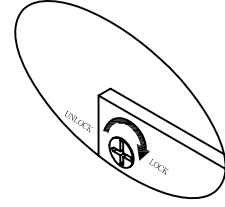
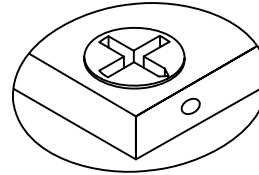
STEP 5:



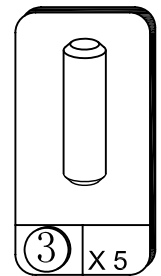
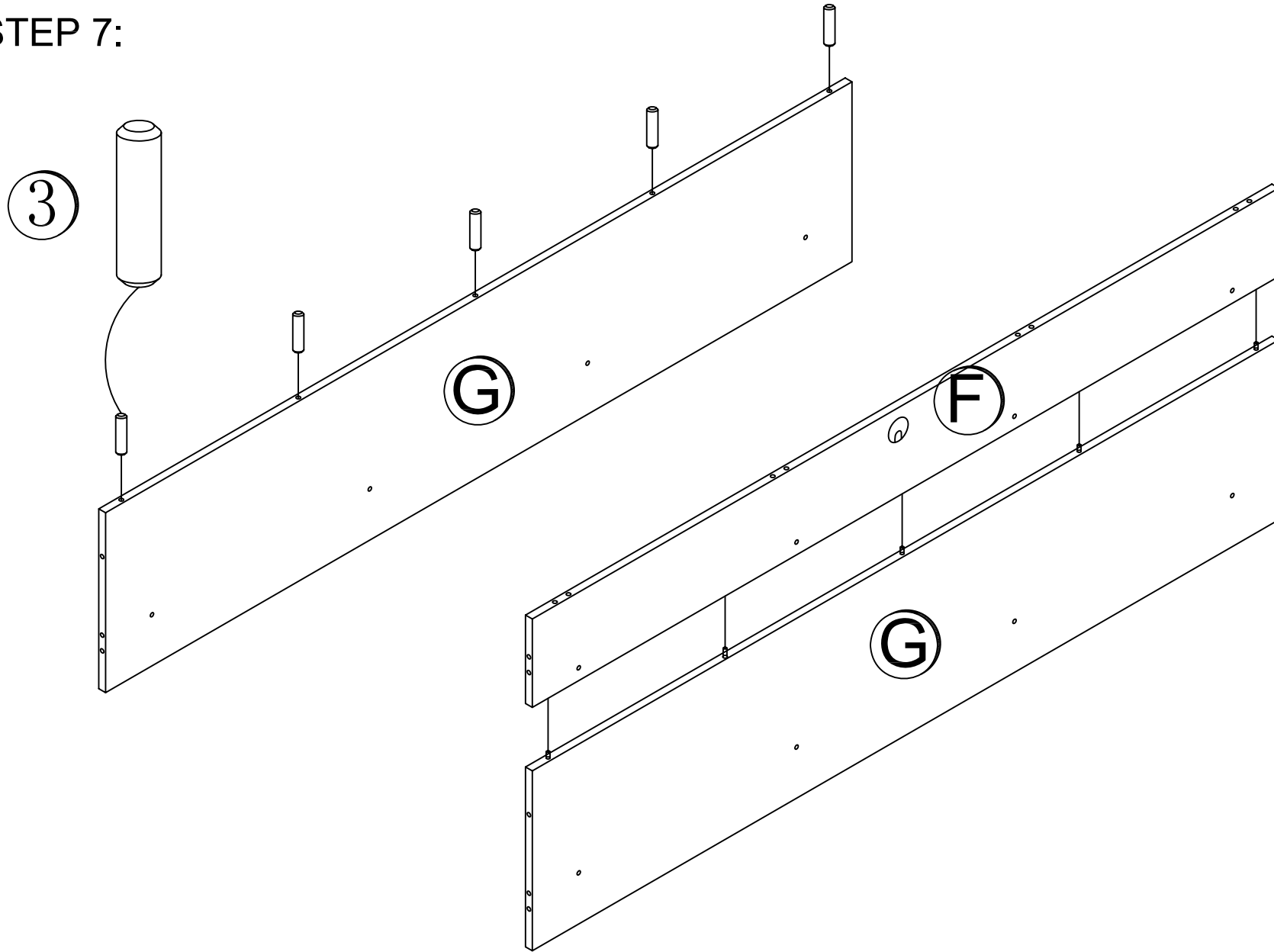
# STEP 6:



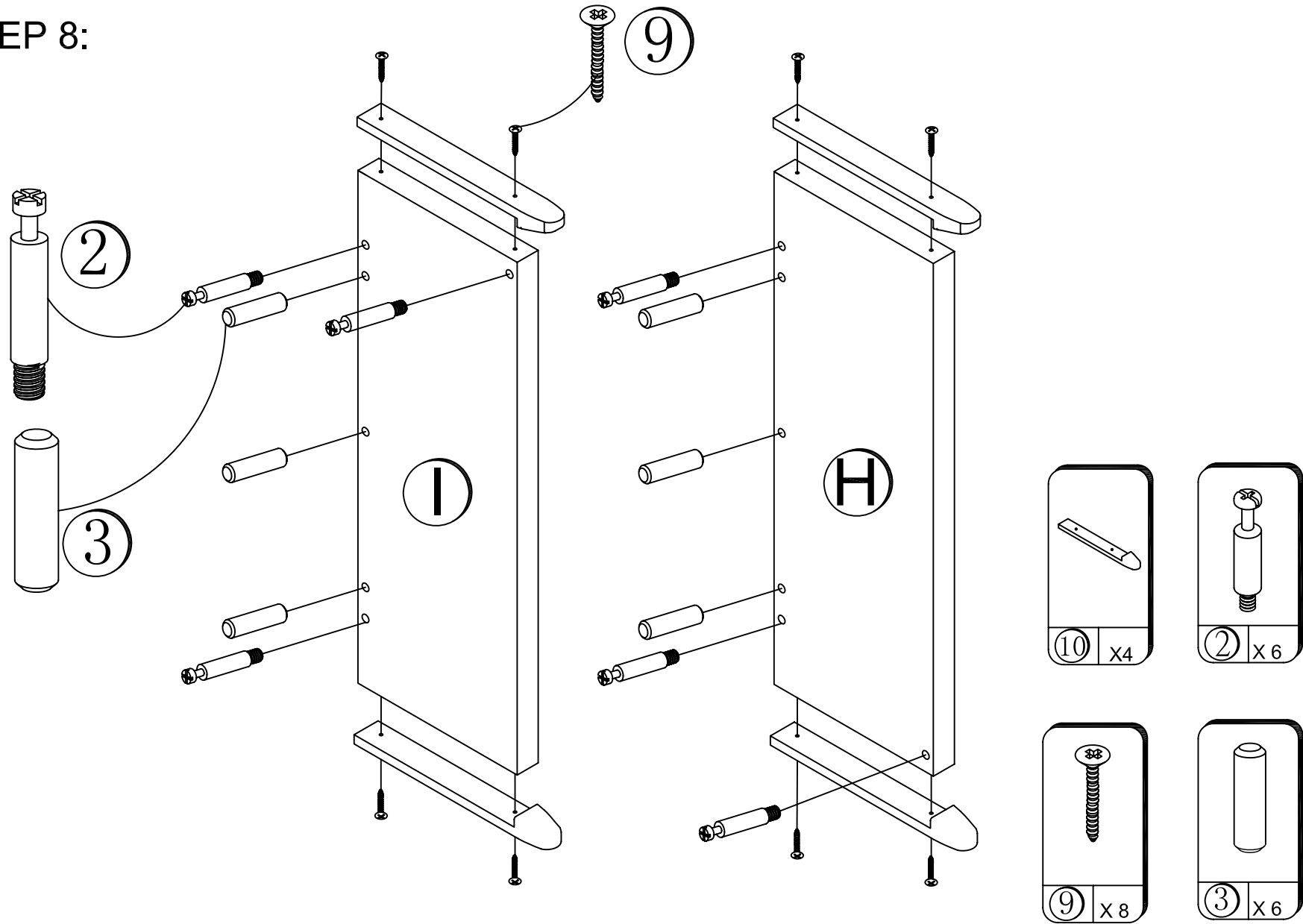
Edge Banding



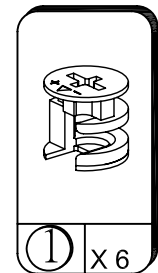
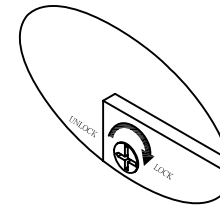
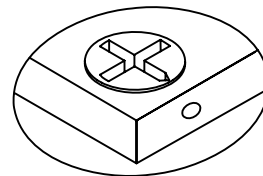
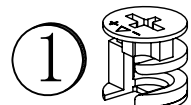
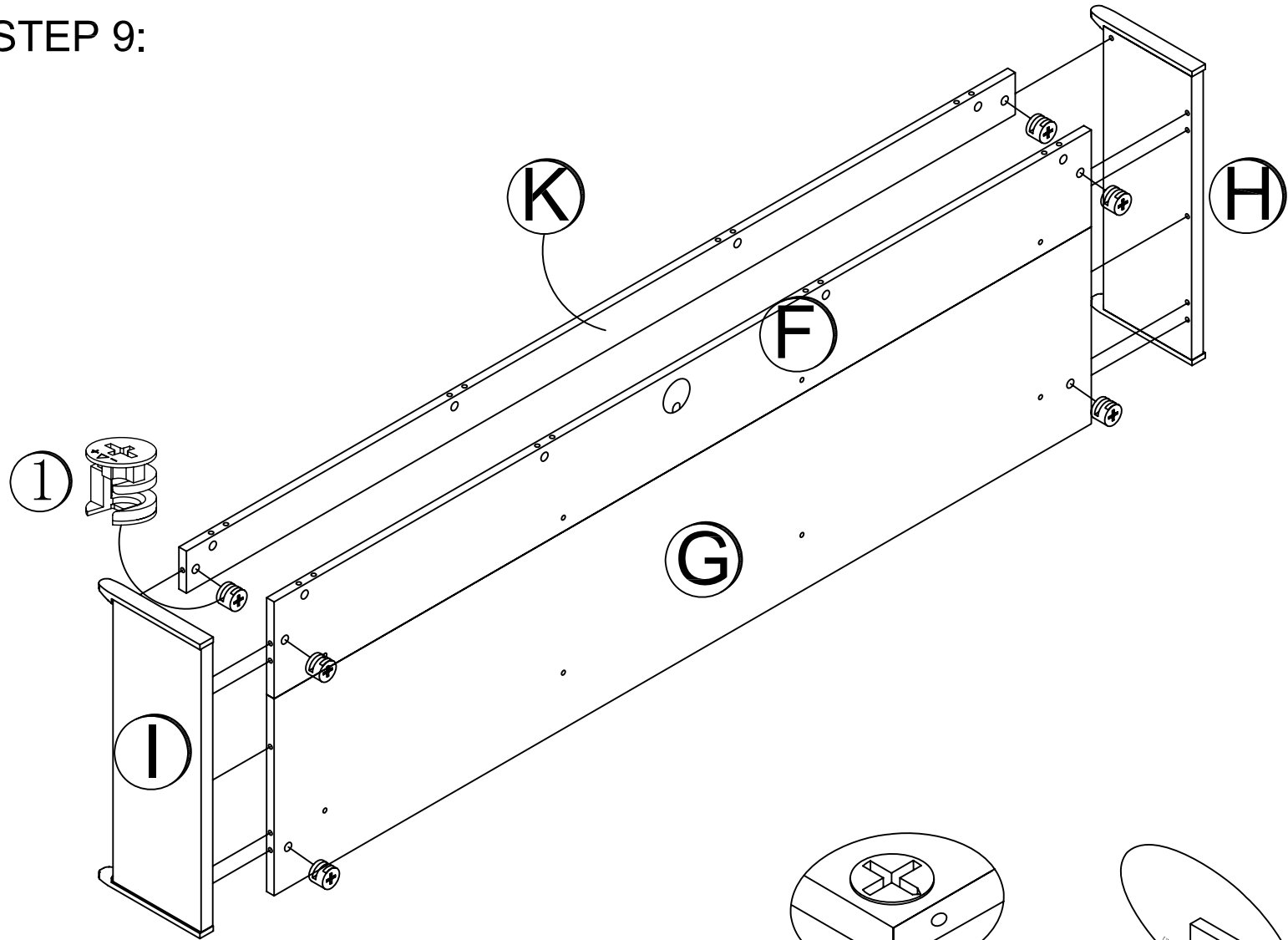
STEP 7:



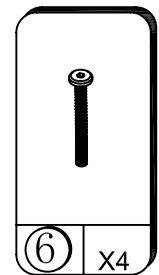
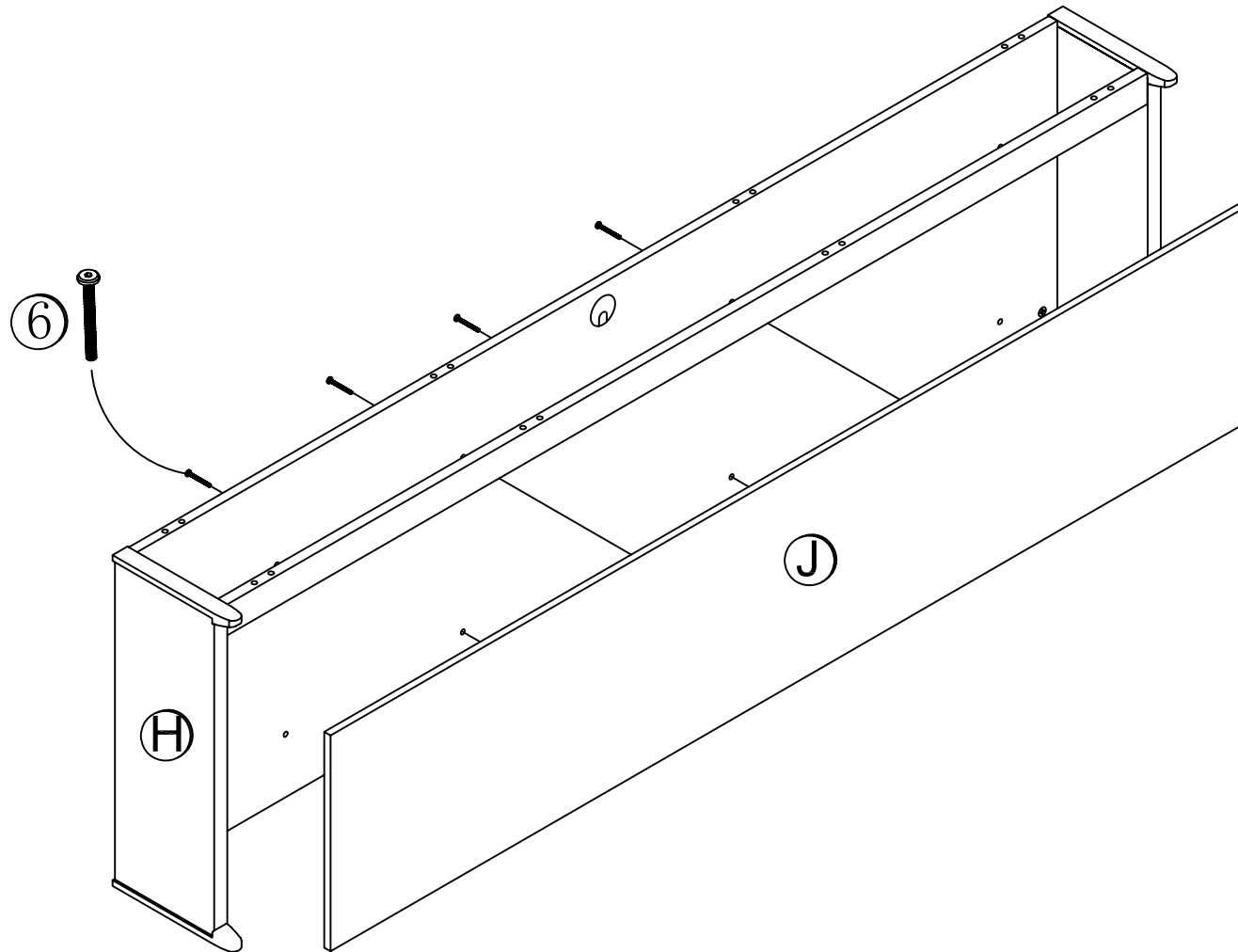
STEP 8:



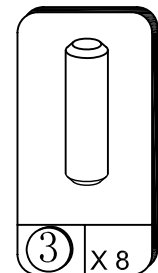
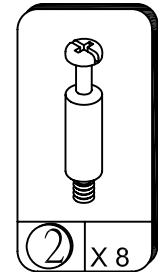
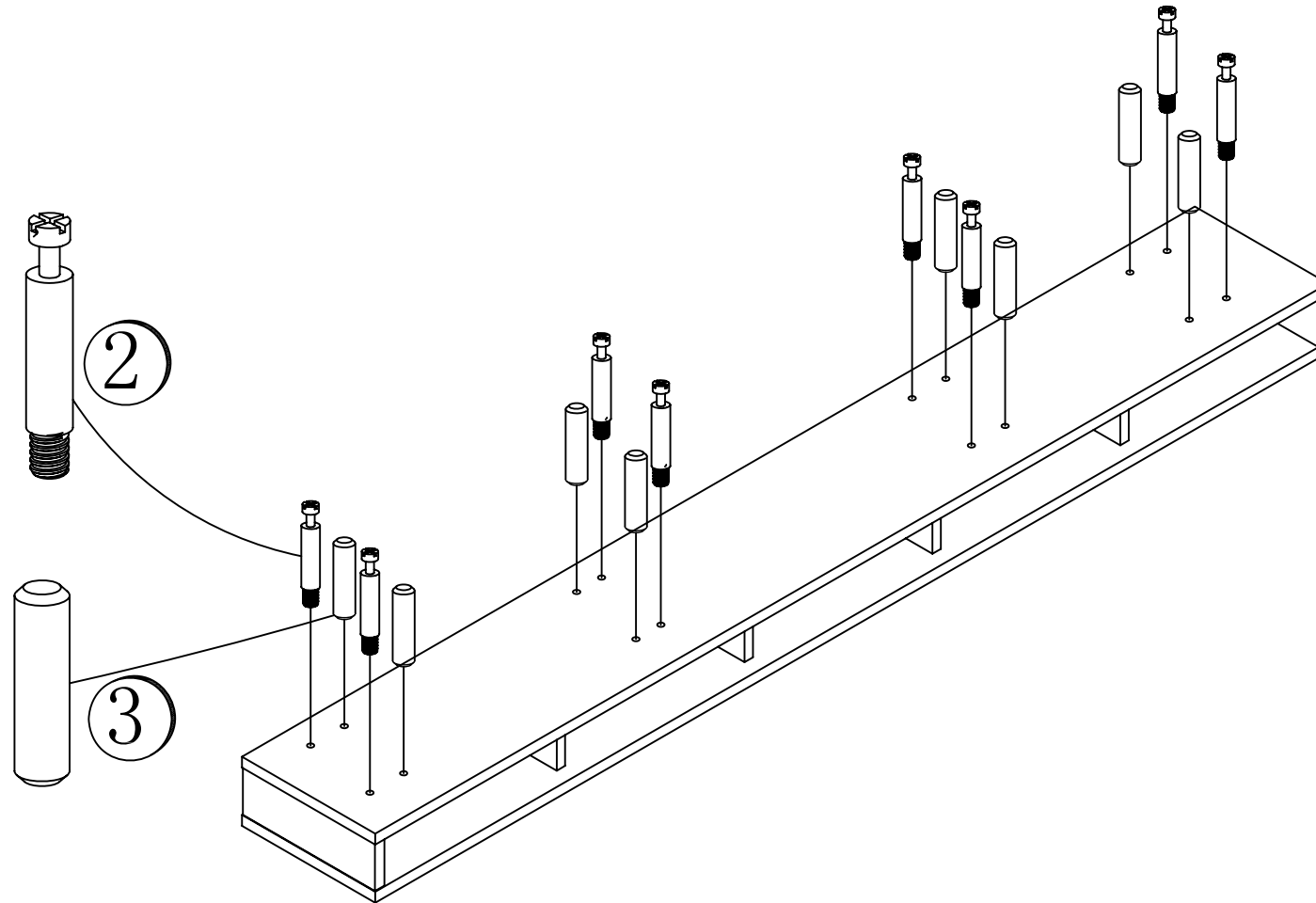
STEP 9:



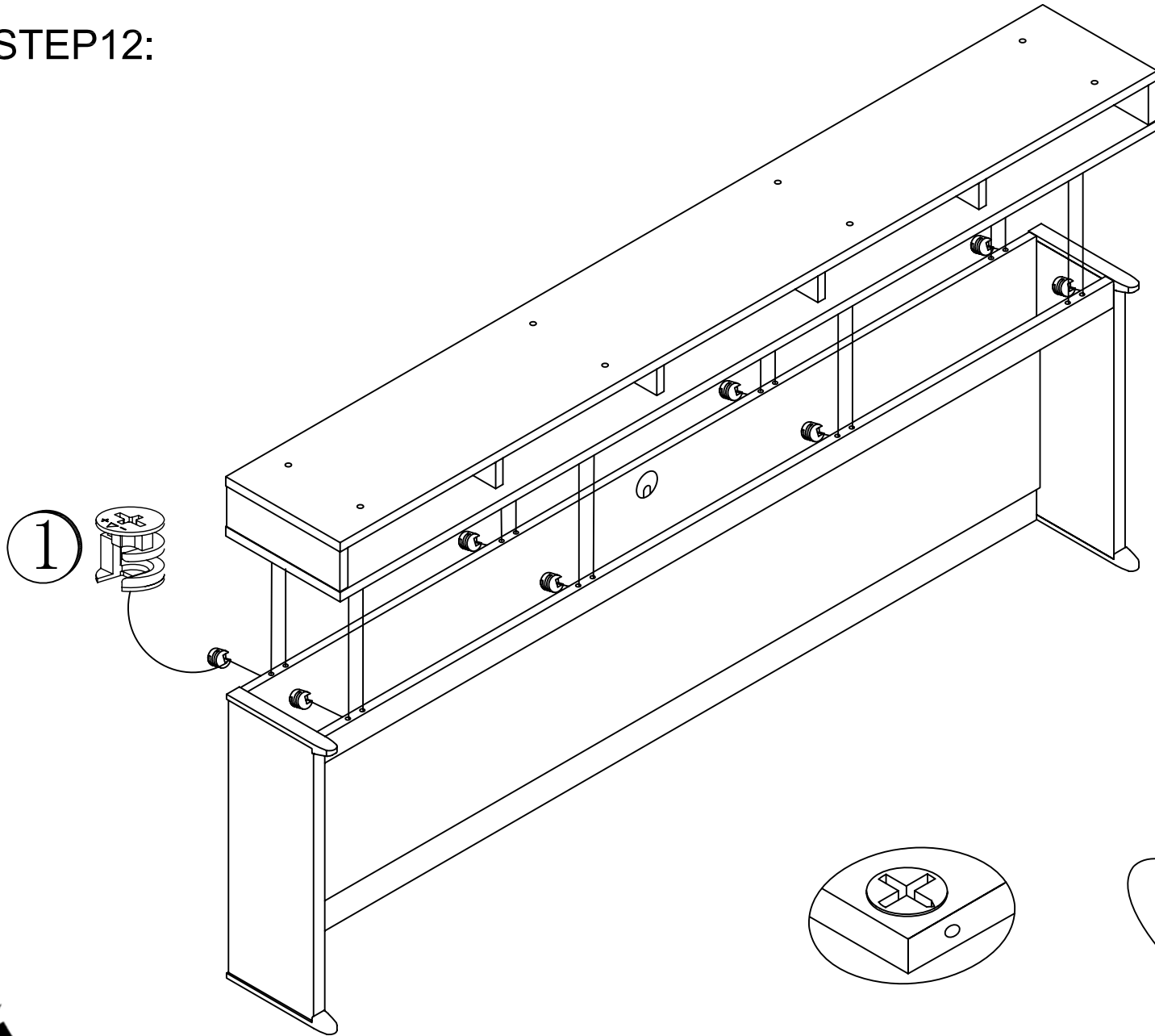
STEP 10:



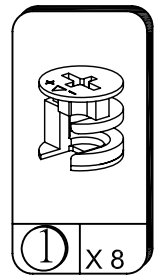
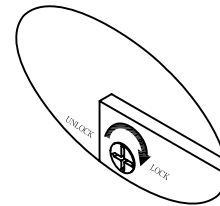
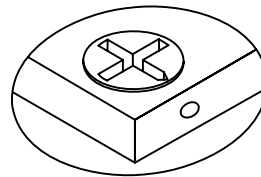
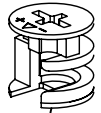
# STEP 11:



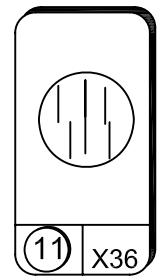
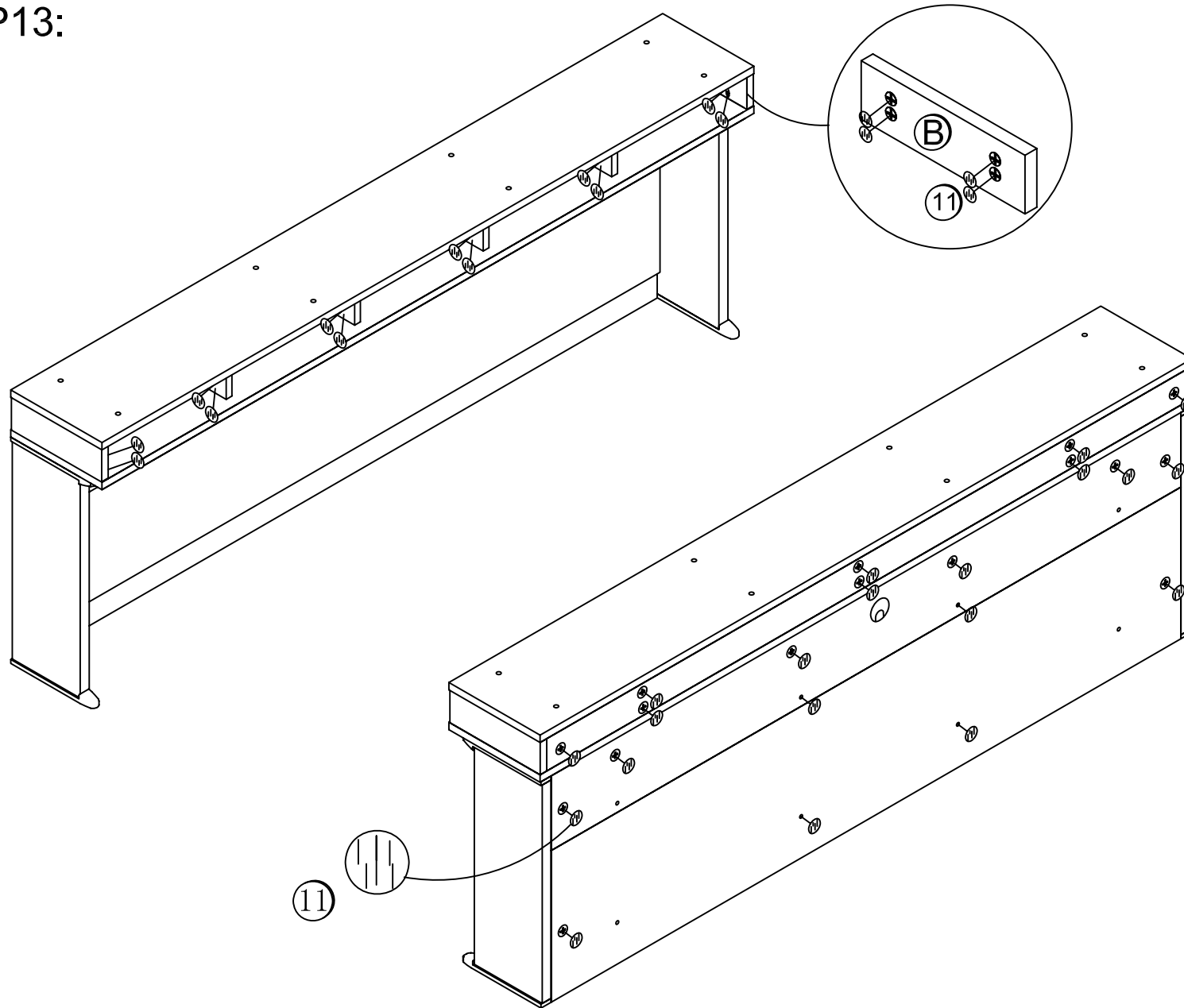
STEP12:



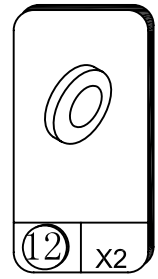
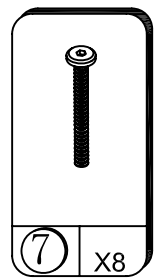
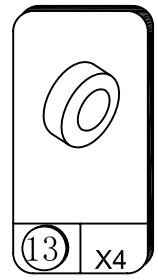
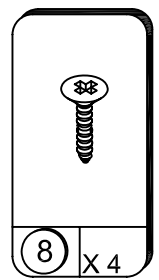
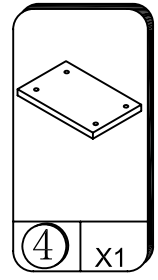
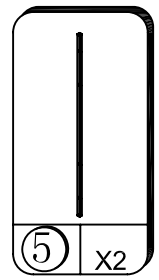
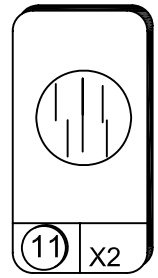
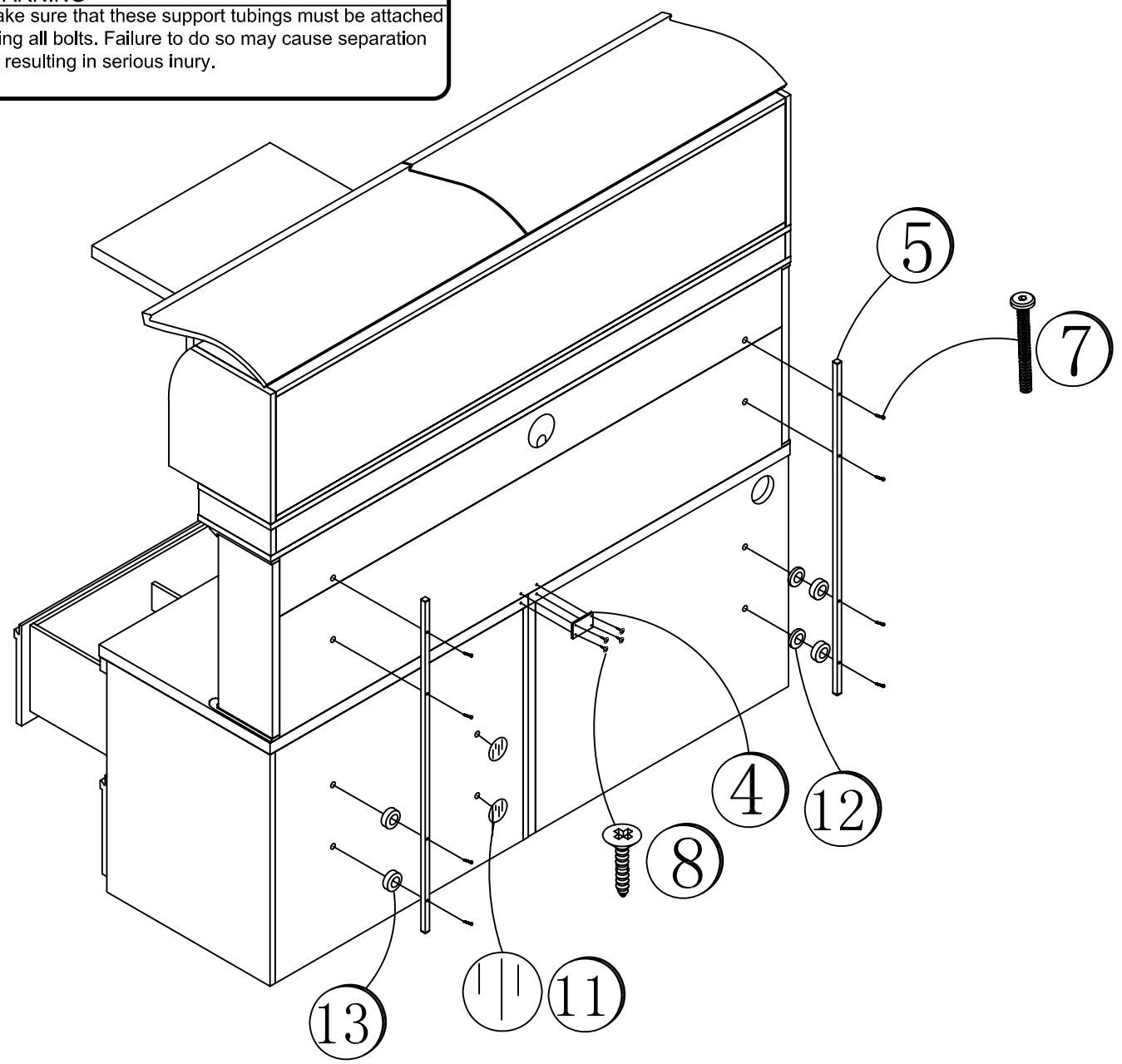
1



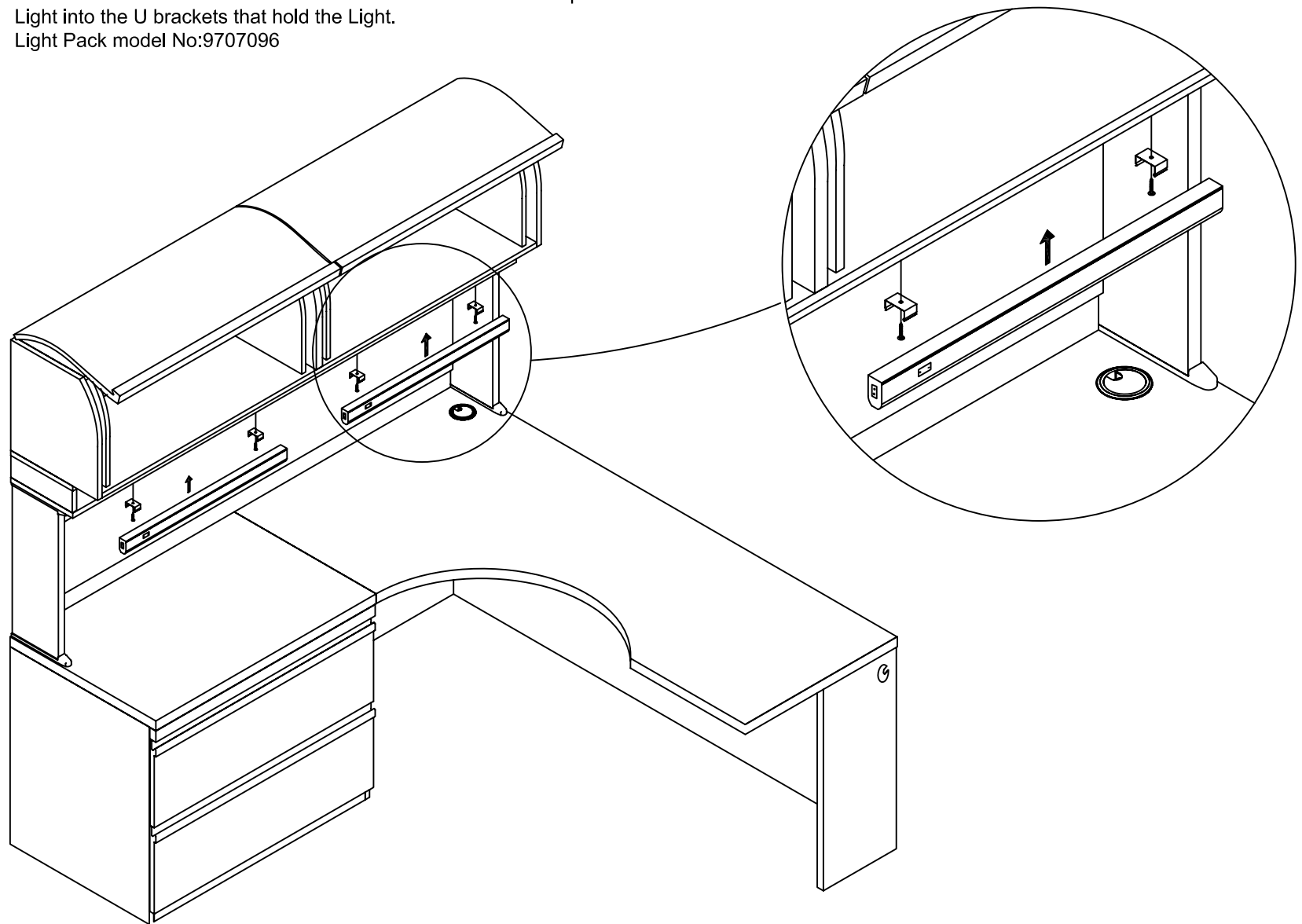
STEP13:



**WARNING**  
 Please make sure that these support tubings must be attached by tightening all bolts. Failure to do so may cause separation of the unit resulting in serious injury.



If you purchase the lights, please assemble them as the instruction shows:  
Fix the U brackets to the board with screws as shown and then push the  
Light into the U brackets that hold the Light.  
Light Pack model No:9707096

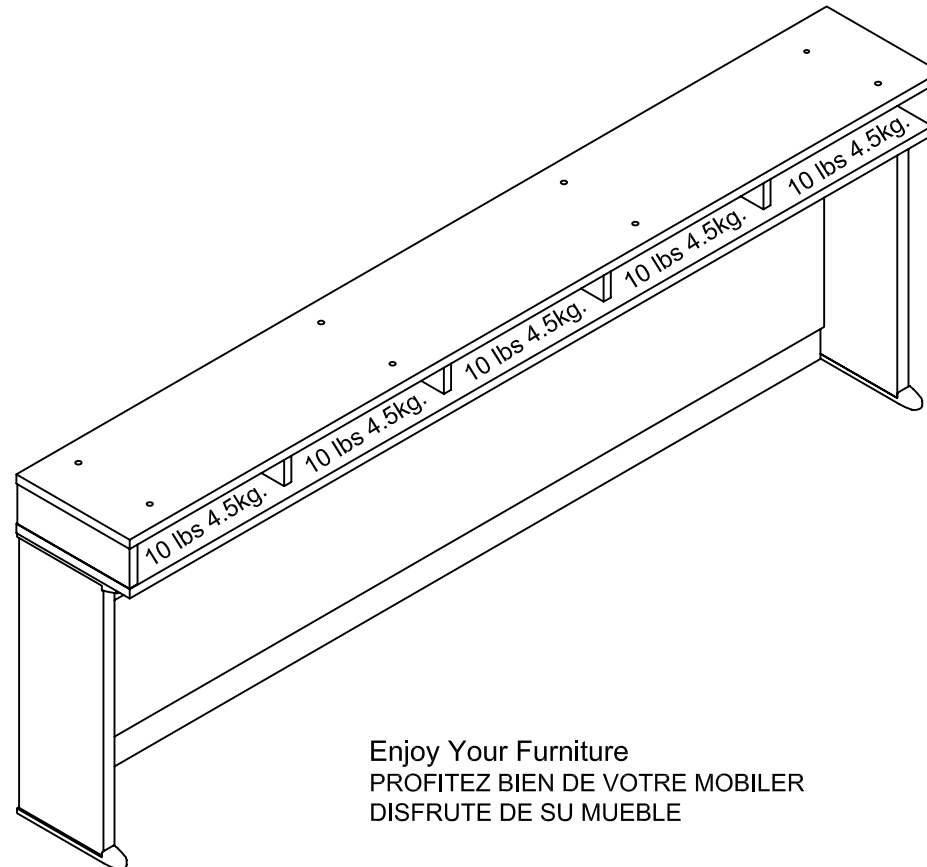


This unit has been designed to support the maximum loads shown. Exceeding these load limits could cause sagging, instability, product collapse, and/or serious injury.

Esta unidad se ha diseñado para apoyar las cargas maximasdemostradas. Exceder estos limites de carga podia causar ceder, inestabilidad,derrumbamiento del producto, yo lesion seria.

Cette unite a ete concue pour soutenir les charges maximummontrees. Depasser ces limites de charge a pu causer le flechissement, instabilite, effondrement de produit, etou dommages serieux.

**Maximum weights:**



Enjoy Your Furniture  
PROFITEZ BIEN DE VOTRE MOBILIER  
DISFRUTE DE SU MUEBLE

